

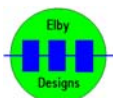
ASM-2 Analogue Synthesiser Module



ASM-2 Preliminary Wiring Details

This document provides preliminary wiring details highlighting the wiring details of the major control components required to allow operation of the various modules on the ASM-2 board.

These drawings do NOT show inter-module connections as the implementation of these is very dependent upon the final configuration of the ASM-2.



1 2 3 4 5 6 7 8

A

A

B

B

C

C

D

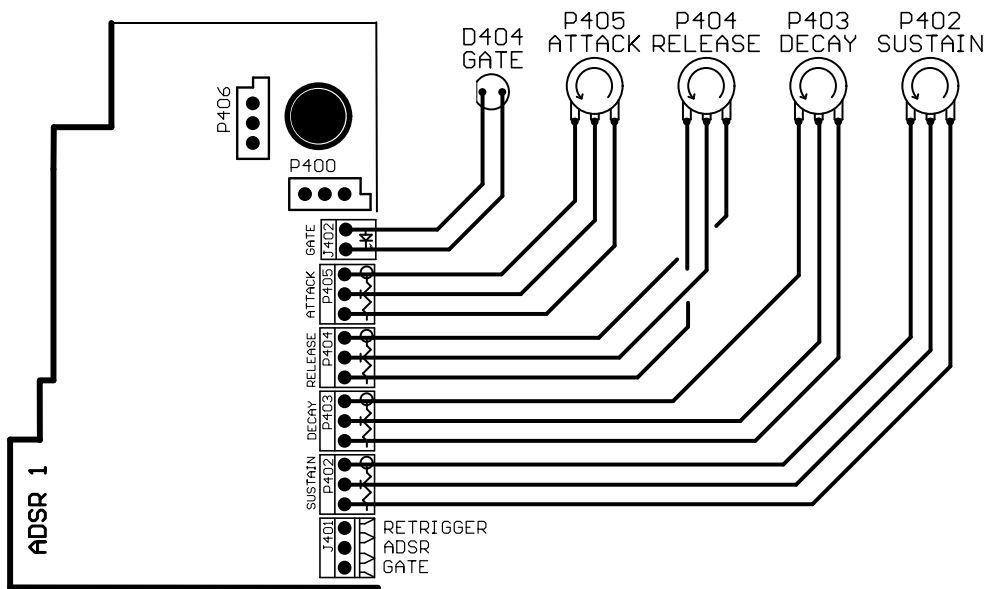
D

E

E

F

Panel components viewed from rear



Elby Designs
 Kariong, NSW 2250
 Australia
www.elby-designs.com

ASM-2 ADSR 1 Wiring Details

All dimensions in millimeters
 unless stated otherwise.

(A4) Not to scale

Rev: 1

Date: 29/12/04

1 2 3 4

1 2 3 4 5 6 7 8

A

A

B

B

C

C

D

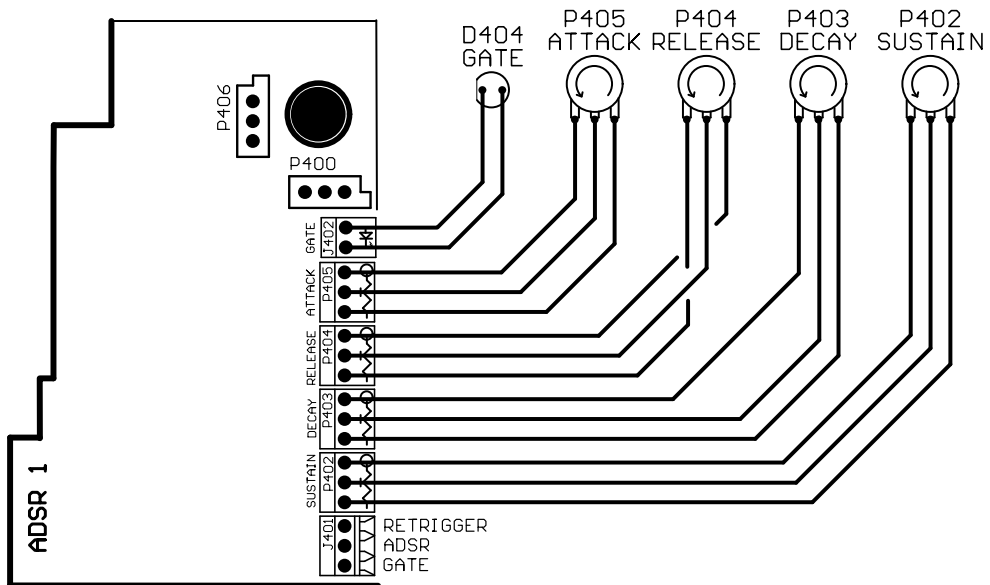
D

E

E

F

Panel components viewed from rear



Elby Designs
 Kariong, NSW 2250
 Australia
www.elby-designs.com

ASM-2 ADSR 2 Wiring Details

All dimensions in millimeters
 unless stated otherwise.

(A4) Not to scale

Rev: 1

Date: 29/12/04

1 2 3 4

1 2 3 4 5 6 7 8

A

A

B

B

C

C

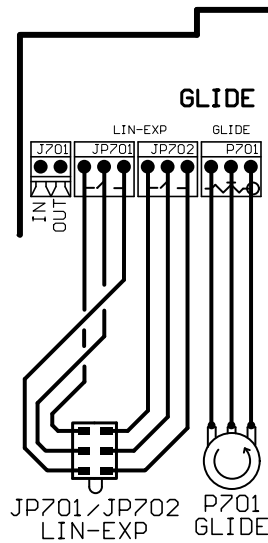
D

D

E

E

F



Panel components viewed from rear

Elby Designs
 Kariong, NSW 2250
 Australia
 www.elby-designs.com

Title: ASM-2 GLIDE
 Wiring Details

All dimensions in millimeters unless stated otherwise.

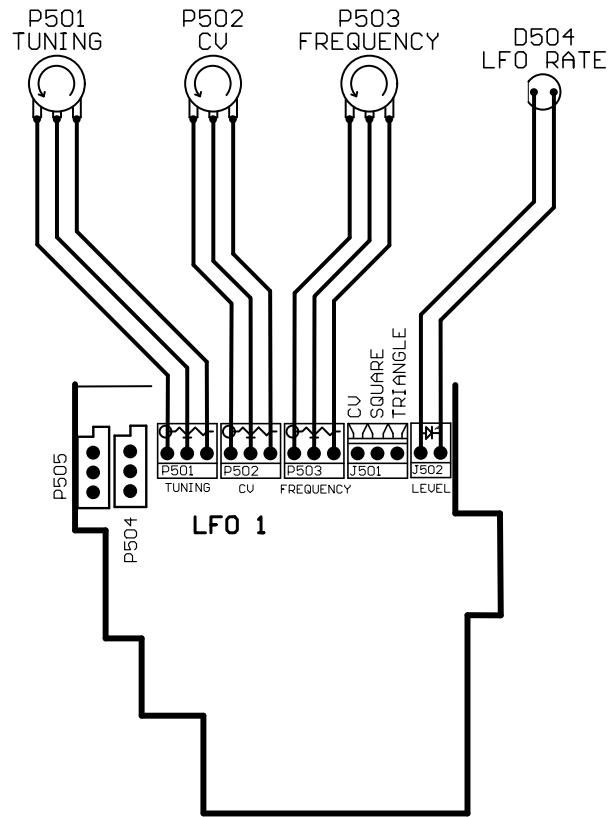
(A4) Not to scale

Rev: 1

Date: 29/12/04

1 2 3 4

Panel components viewed from the rear



Elby Designs
Kariong, NSW 2250
Australia
www.elby-designs.com

Title:

ASM-2 LFO 1
Wiring Details

All dimensions in millimeters
unless stated otherwise.

(A4) Not to scale

Rev: 1

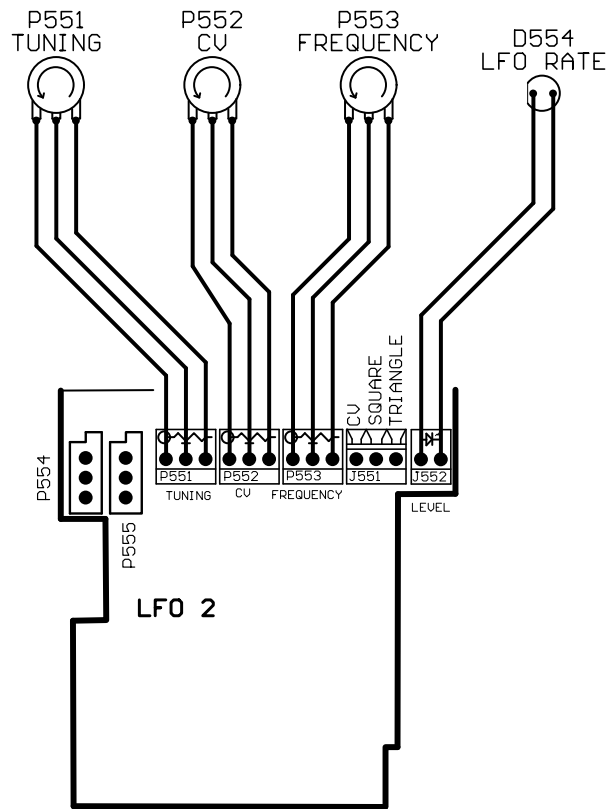
Date: 29/12/04

1 2 3 4 5 6 7 8

A

A

Panel components viewed from the rear



B

B

C

C

D

D

E

E

F

Elby Designs
 Kariong, NSW 2250
 Australia
www.elby-designs.com

Title: **ASM-2 LFO 2**
Wiring Details

All dimensions in millimeters
 unless stated otherwise.

(A4) Not to scale

Rev: 1

Date: 29/12/04

1 2 3 4

1 2 3 4 5 6 7 8

A

A

Panel components viewed from rear

B

B

C

C

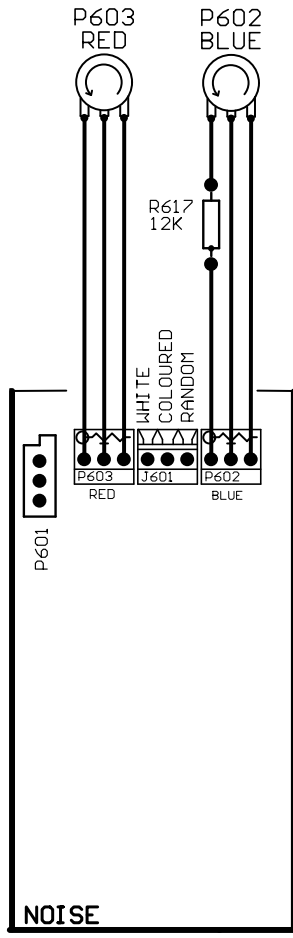
D

D

E

E

F



Elby Designs
 Kariong, NSW 2250
 Australia
www.elby-designs.com

Title: ASM-2 Noise
 Wiring Details

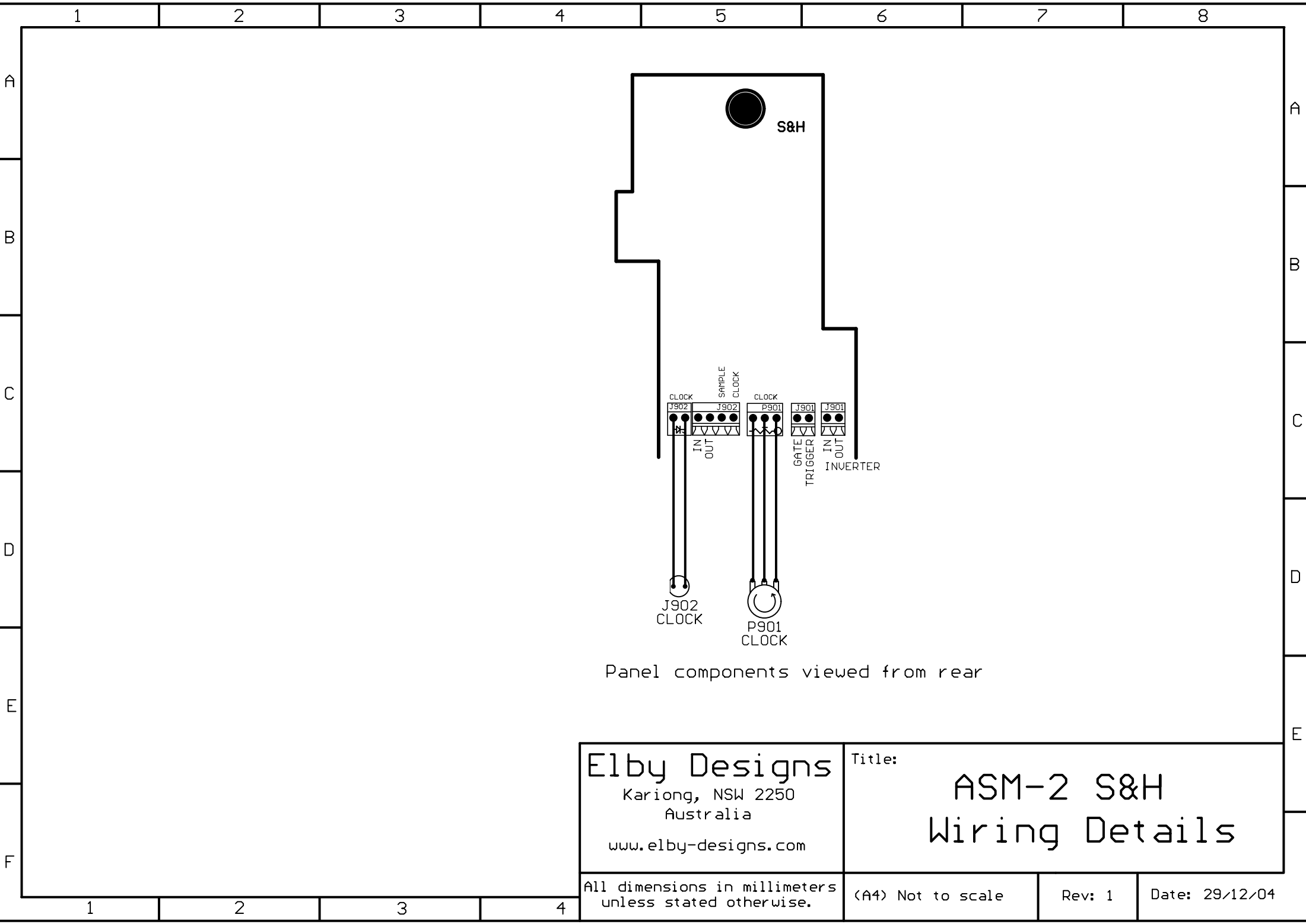
All dimensions in millimeters
 unless stated otherwise.

(A4) Not to scale

Rev: 2

Date: 26/03/05

1 2 3 4



Panel components viewed from rear

Elby Designs
 Kariong, NSW 2250
 Australia
www.elby-designs.com

Title: **ASM-2 S&H
 Wiring Details**

All dimensions in millimeters
 unless stated otherwise.

(A4) Not to scale

Rev: 1

Date: 29/12/04

1 2 3 4 5 6 7 8

A

A

B

B

C

C

D

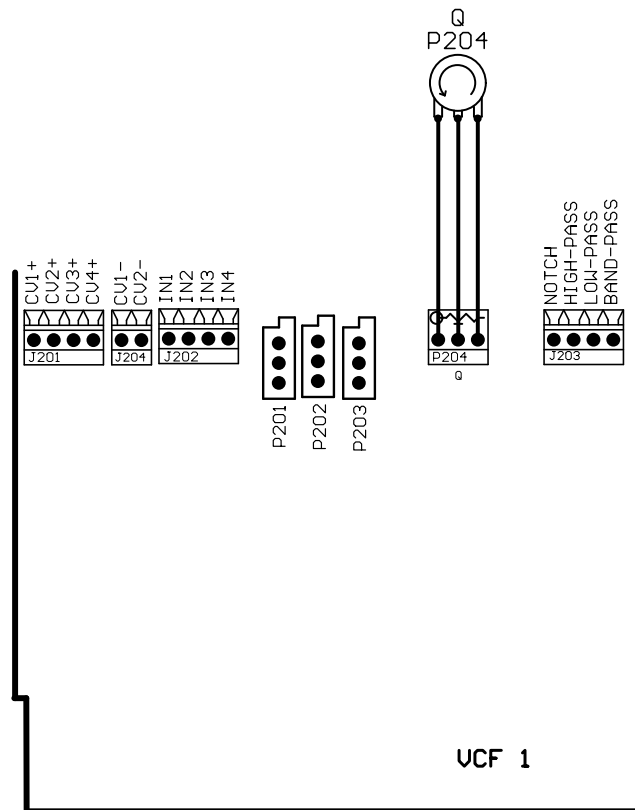
D

E

E

F

Panel components viewed from rear



Elby Designs
 Kariong, NSW 2250
 Australia
 www.elby-designs.com

Title: ASM-2 VCF 1
 Wiring Details

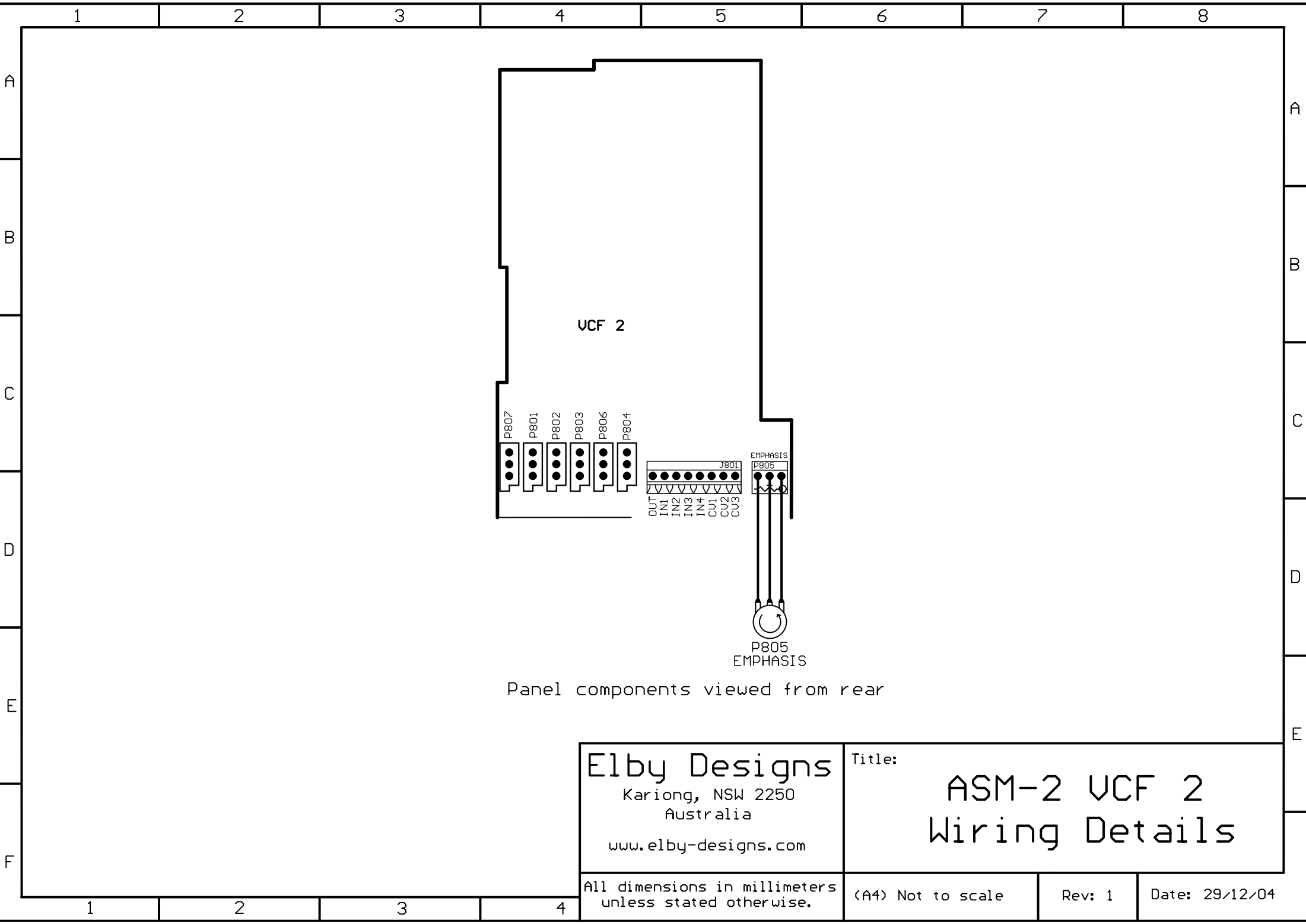
All dimensions in millimeters
 unless stated otherwise.

(A4) Not to scale

Rev: 1

Date: 29/12/04

1 2 3 4



Panel components viewed from rear

Elby Designs
 Kariong, NSW 2250
 Australia
 www.elby-designs.com

Title: **ASM-2 VCF 2**
Wiring Details

All dimensions in millimeters unless stated otherwise.

(A4) Not to scale

Rev: 1

Date: 29/12/04