

1

2

3

4

A

A

B

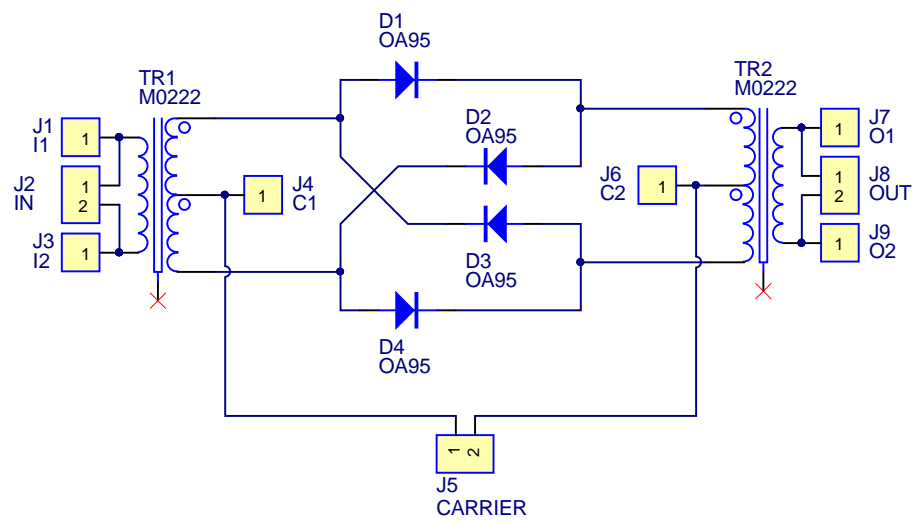
B

C

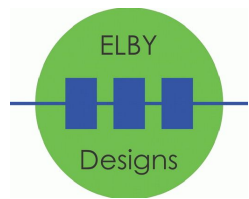
C

D

D



MH1 MH2 MH3 MH4

3 Therese Street
 Bridport
 TAS 7262
 Australia

IMPORTANT NOTICE:
 Information disclosed by this drawing is the property of ELBY Designs.
 Duplication or manufacturing rights granted by written permission only.

CGS302 - Real Ring Modulator Circuit Title

Size A4	FCSM No. RCM RoHS	DWG No. cgs302.schdoc	Rev V2.1
Scale	17/09/2021	Laurie Biddulph	Sheet 1 of 1

1

2

3

4