

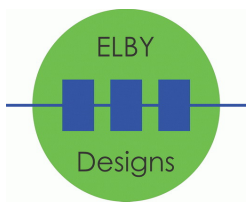
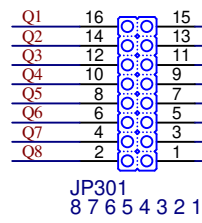
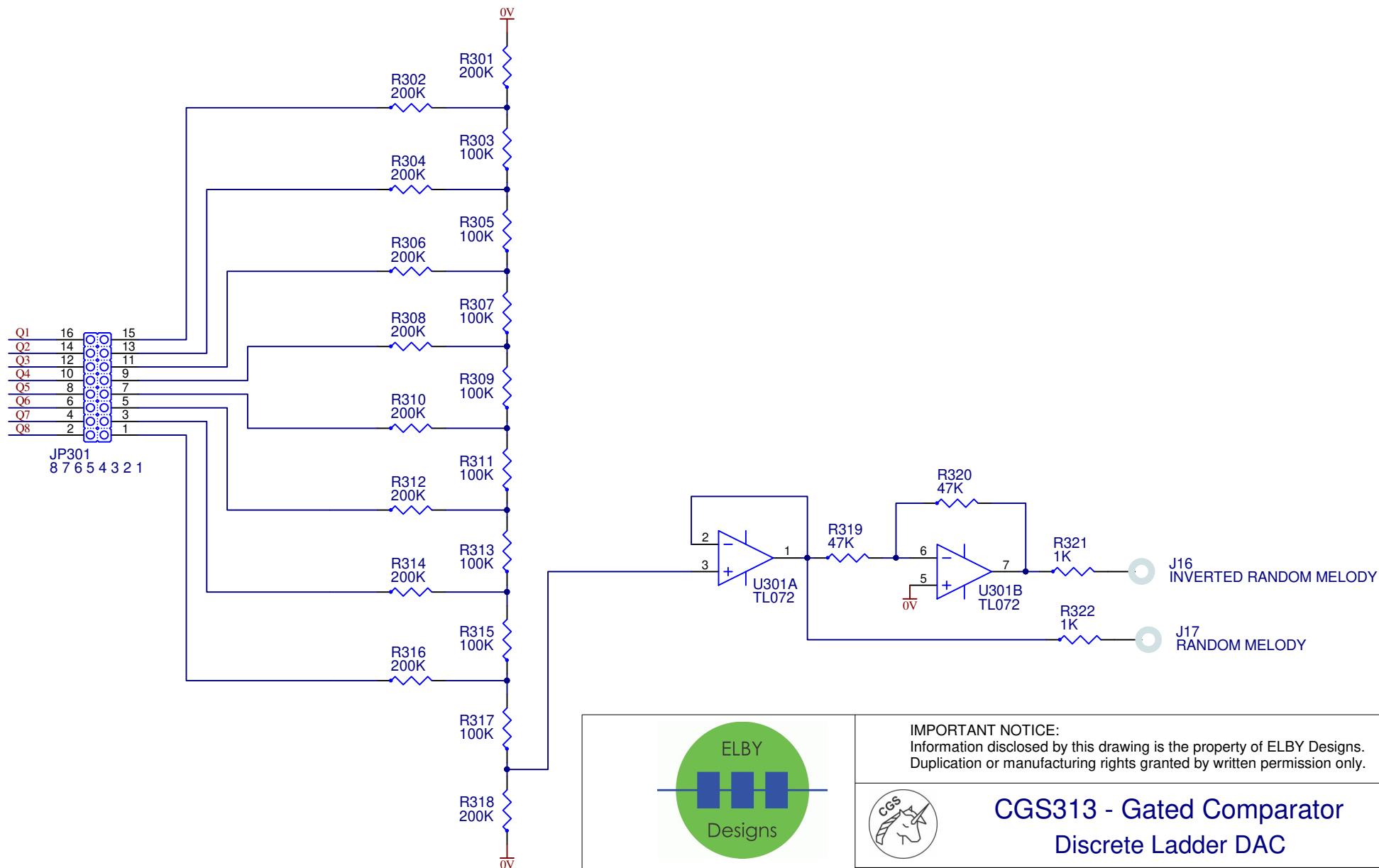
9 Follan Close  
Karing  
NSW 2250  
Australia

**IMPORTANT NOTICE:**  
Information disclosed by this drawing is the property of ELBY Designs.  
Duplication or manufacturing rights granted by written permission only.



## CGS313 - Gated Comparator Input Section

Size A4	FCSM No. 27/07/2021	DWG No. cgs313-main-input-&-shift-register.sch	Rev 00
Scale	Laurie Biddulph	Sheet 1 of 5	



9 Follan Close  
Kariong  
NSW 2250  
Australia

**IMPORTANT NOTICE:**  
Information disclosed by this drawing is the property of ELBY Designs.  
Duplication or manufacturing rights granted by written permission only.



## CGS313 - Gated Comparator Discrete Ladder DAC

Size A4	FCSM No. 27/07/2021	DWG No. cgs313-dac.schdoc	Rev 3.0
Scale		Laurie Biddulph	Sheet 2 of 5

1

A

B

C

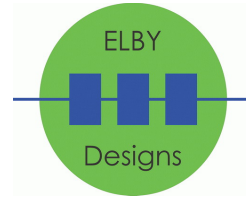
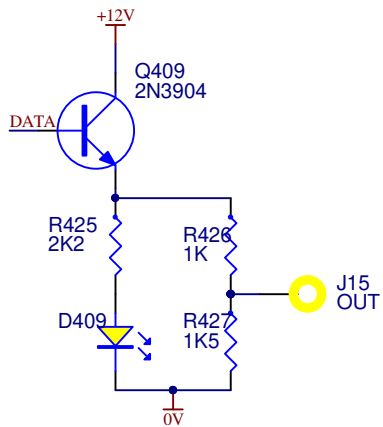
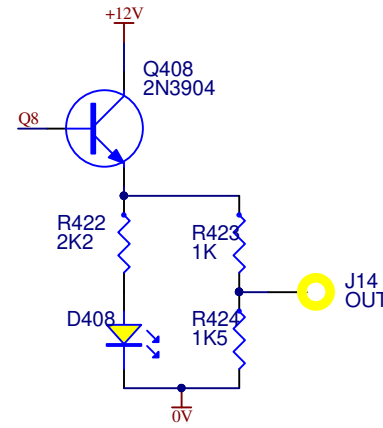
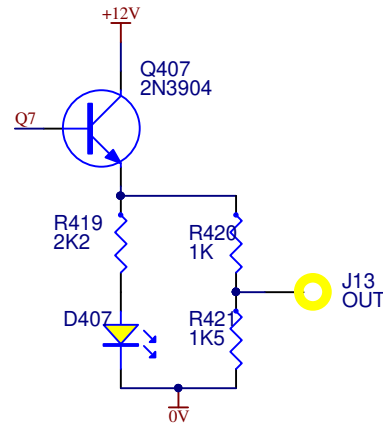
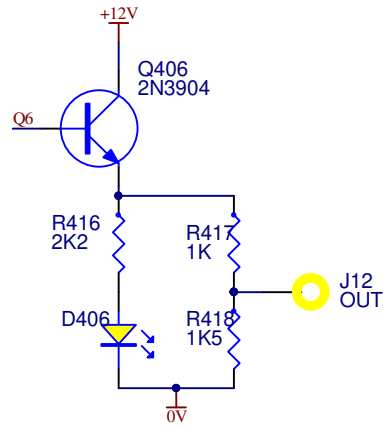
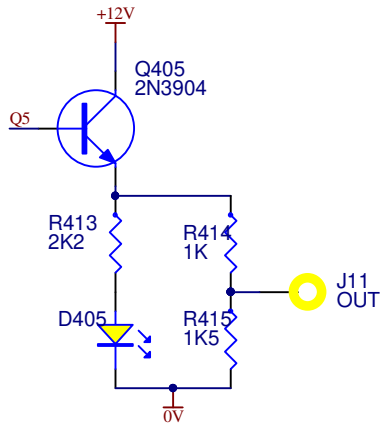
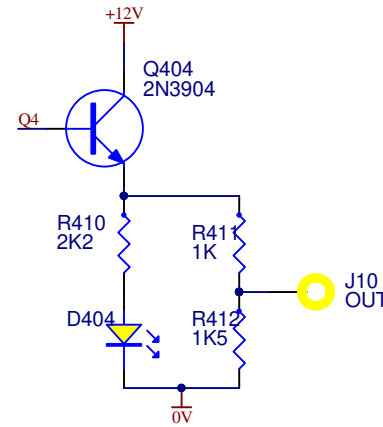
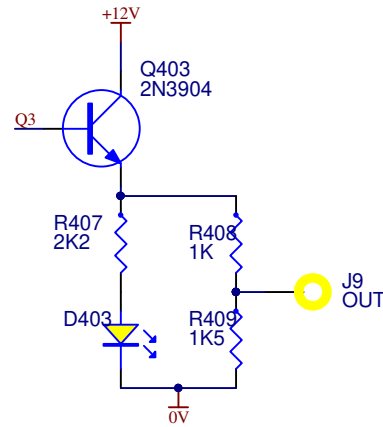
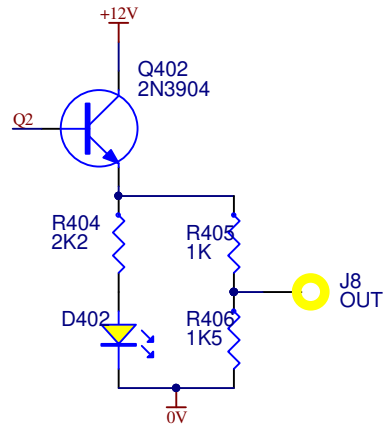
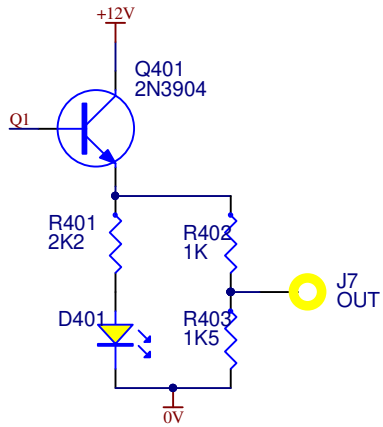
D

1

2

3

4



9 Follan Close  
Karing  
NSW 2250  
Australia

**IMPORTANT NOTICE:**  
Information disclosed by this drawing is the property of ELBY Designs.  
Duplication or manufacturing rights granted by written permission only.



## CGS313 - Gated Comparator Output Drivers

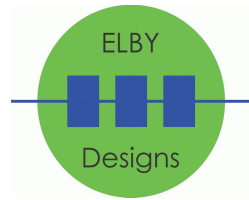
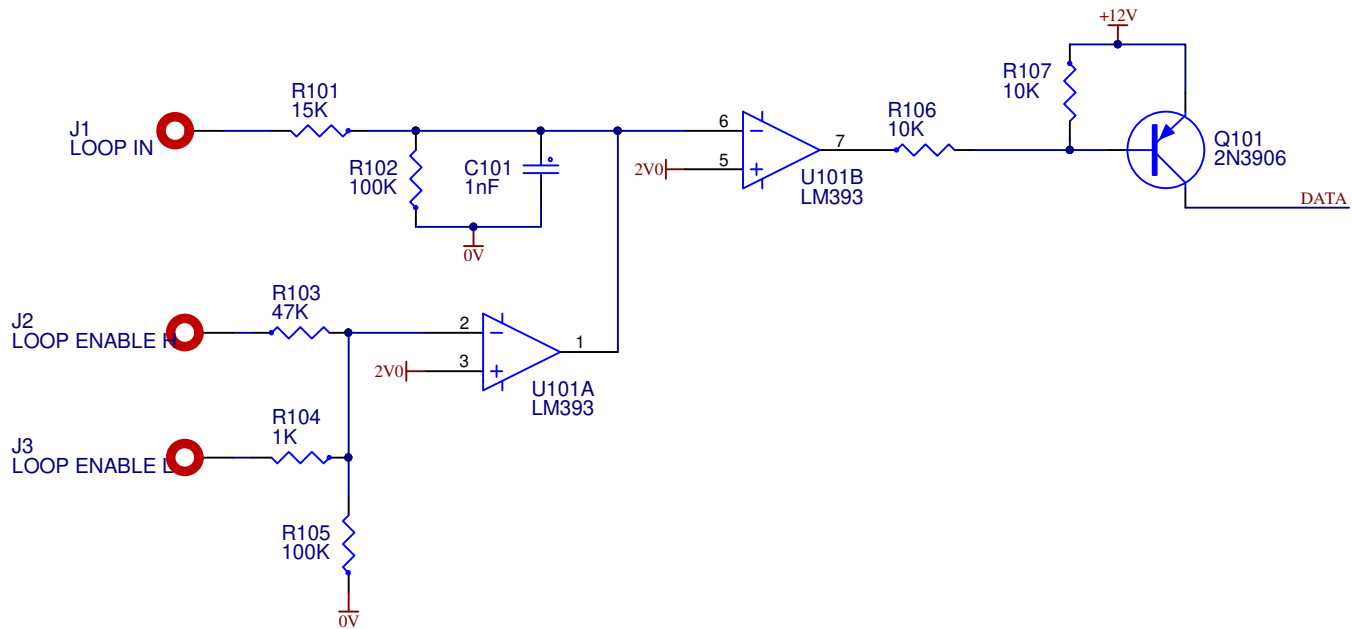
Size A4	FCSM No. 27/07/2021	DWG No. cgs313-output-buffers.schdoc	Rev 3.0
Scale		Laurie Biddulph	Sheet 3 of 5

1

2

3

4



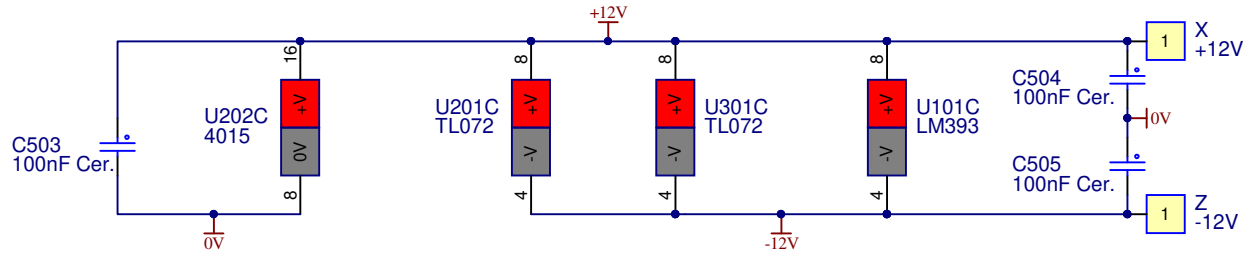
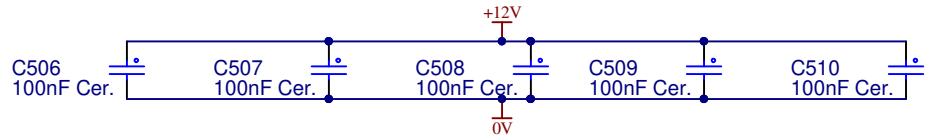
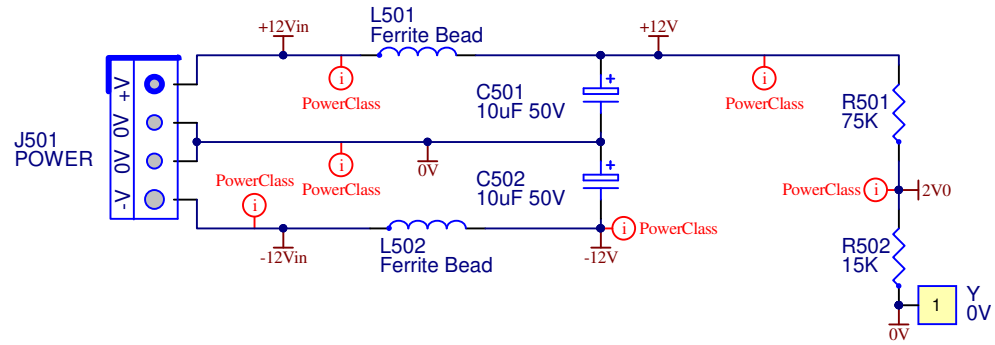
9 Follan Close  
Kariong  
NSW 2250  
Australia

**IMPORTANT NOTICE:**  
Information disclosed by this drawing is the property of ELBY Designs.  
Duplication or manufacturing rights granted by written permission only.

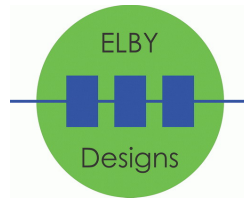


## CGS313 - Gated Comparator Loop Section

Size A4	FCSM No. 27/07/2021	DWG No. cgs313-loop-section.schdoc	Rev 3.0
Scale	Laurie Biddulph		Sheet 4 of 5



CGS LOGO  
LOGO  
RCM  
RoHS



3 Therese Street  
Bridport  
TAS 7262  
Australia

**IMPORTANT NOTICE:**  
Information disclosed by this drawing is the property of ELBY Designs.  
Duplication or manufacturing rights granted by written permission only.



## CGS313 - Gated Comparator Power Supply

Size A4	FCSM No. 27/07/2021	DWG No. cgs313-power.schdoc	Rev 3.0
Scale		Laurie Biddulph	Sheet 5 of 5