

9 Follan Close
Kariang
NSW 2250
Australia

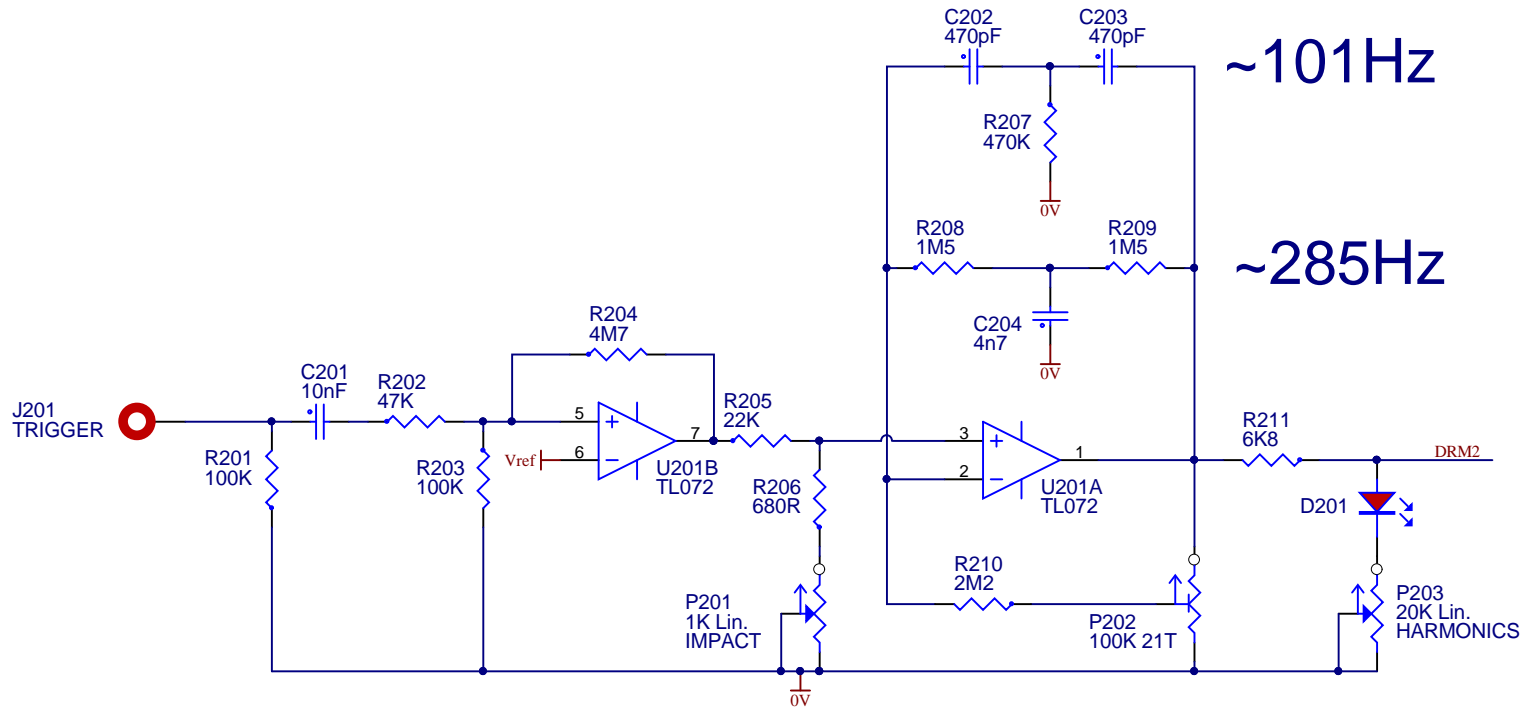
IMPORTANT NOTICE:

Information disclosed by this drawing is the property of ELBY Designs.
Duplication or manufacturing rights granted by written permission only.



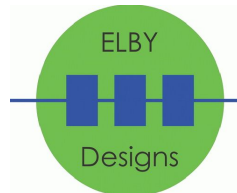
**CGS18 Drum Simulator
Drum Circuit 1**

Size A4	FCSM No. 19/11/2020	DWG No. cgs18-drum1.schdoc	Rev 1
Scale	Laurie Biddulph	Sheet 1 of 6	



~101Hz

~285Hz



9 Follan Close
Kariang
NSW 2250
Australia

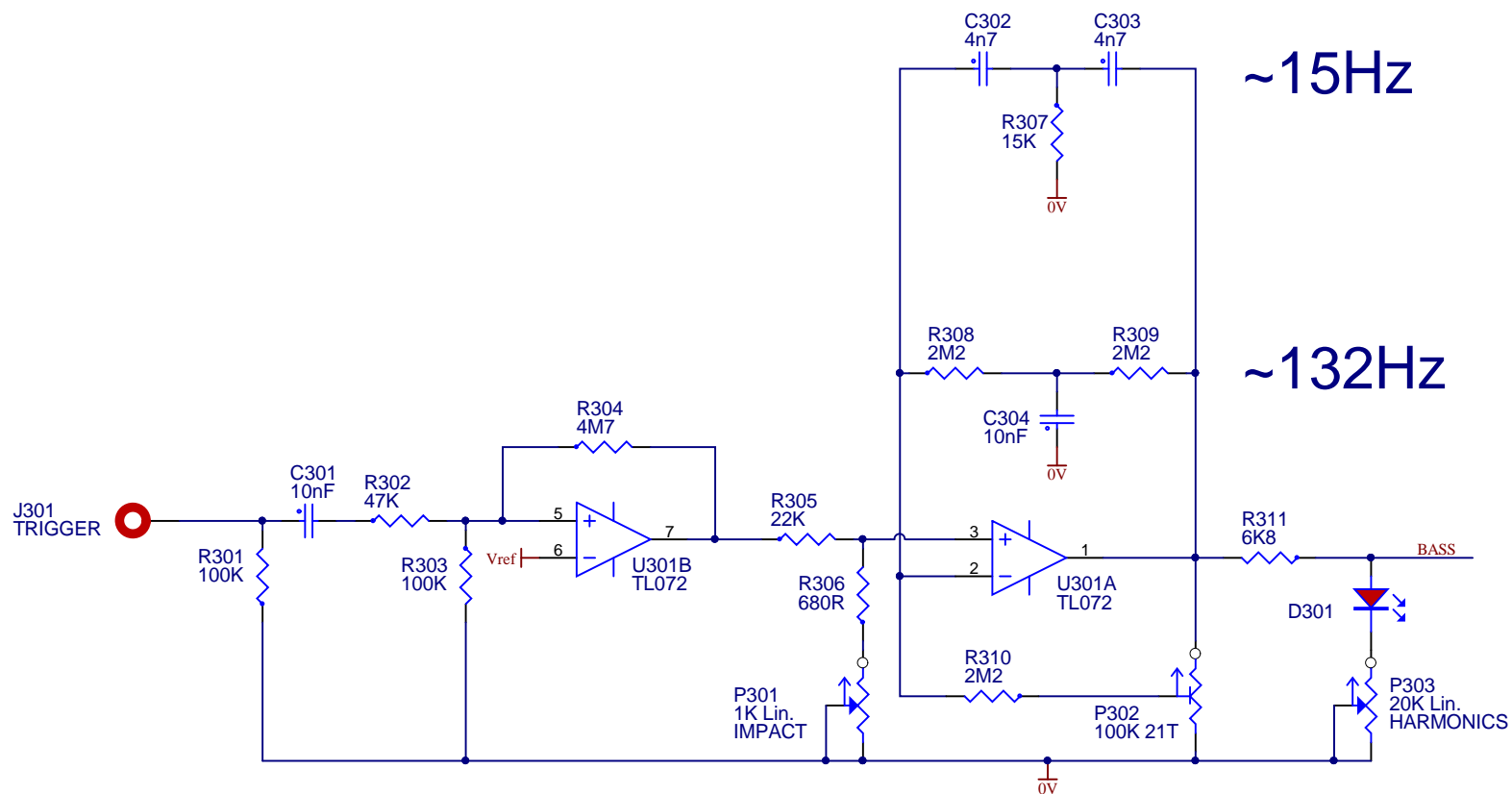
IMPORTANT NOTICE:

Information disclosed by this drawing is the property of ELBY Designs.
Duplication or manufacturing rights granted by written permission only.



**CGS18 Drum Simulator
Drum Circuit 2**

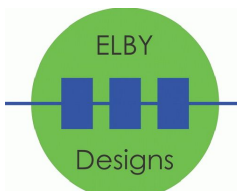
Size A4	FCSM No. 19/11/2020	DWG No. cgs18-drum2.schdoc	Rev 1
Scale	Laurie Biddulph		Sheet 2 of 6



~15Hz

~132Hz

Component values still to be finalised



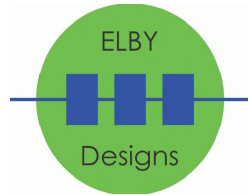
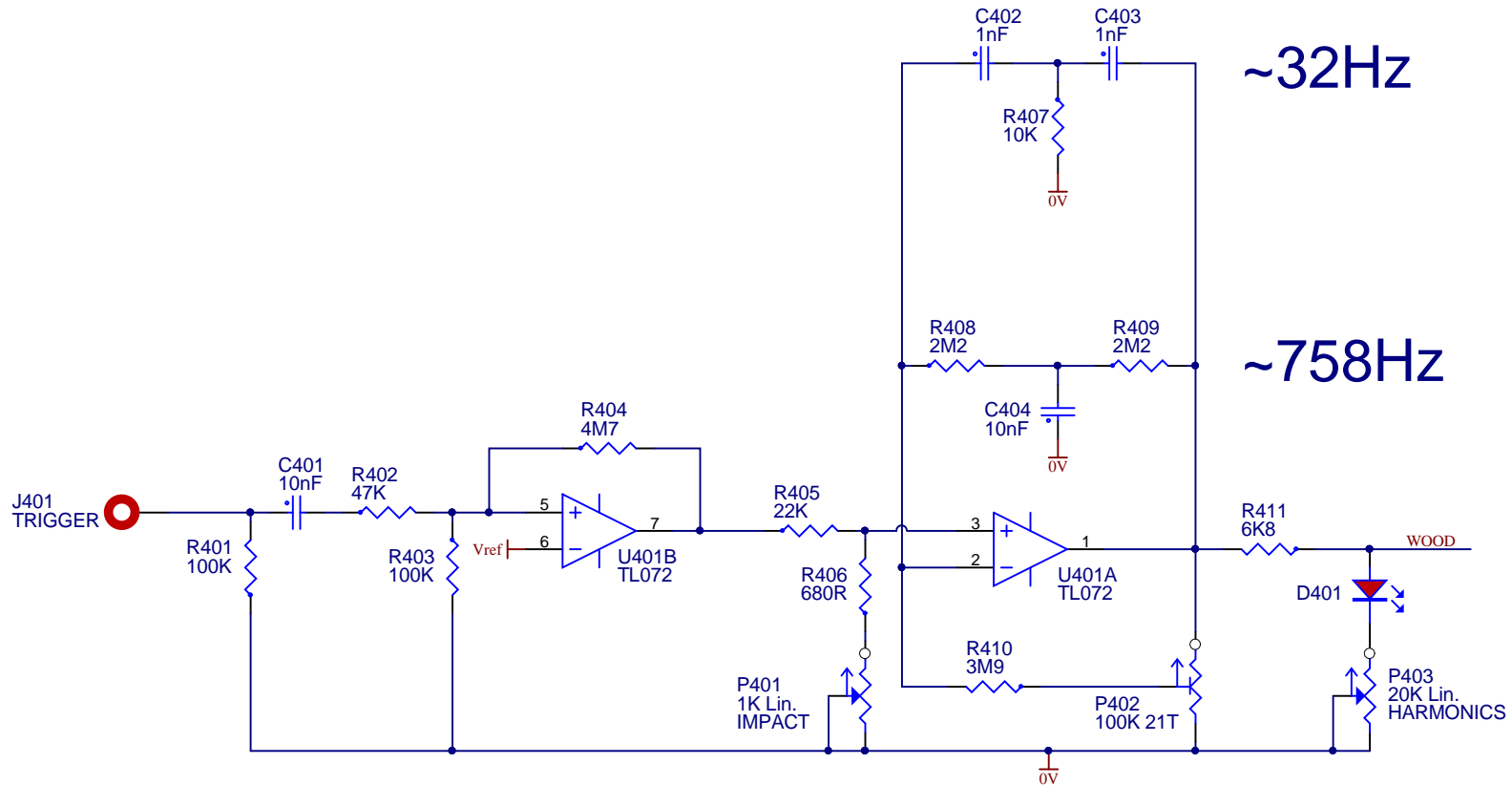
9 Follan Close
Kariang
NSW 2250
Australia

IMPORTANT NOTICE:
Information disclosed by this drawing is the property of ELBY Designs.
Duplication or manufacturing rights granted by written permission only.



CGS18 Drum Simulator Bass Drum

Size A4	FCSM No. 19/11/2020	DWG No. cgs18-bass.schdoc	Rev 1
Scale	Laurie Biddulph		Sheet 3 of 6



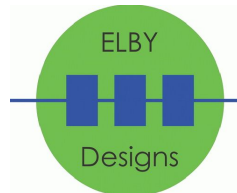
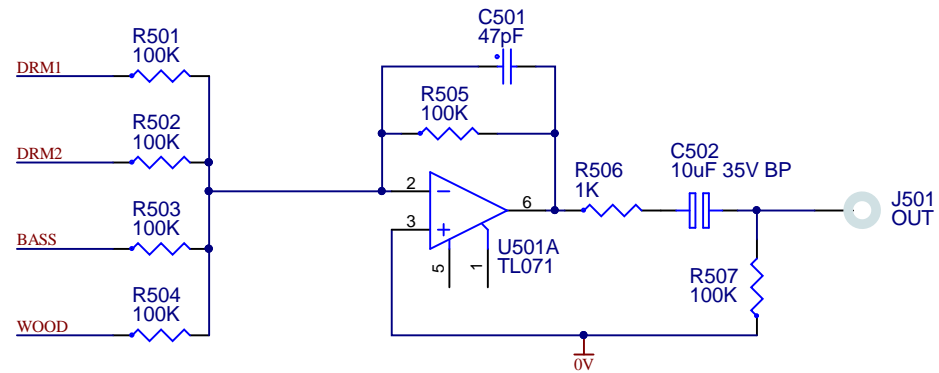
9 Follan Close
Kariong
NSW 2250
Australia

IMPORTANT NOTICE:
Information disclosed by this drawing is the property of ELBY Designs.
Duplication or manufacturing rights granted by written permission only.



CGS18 Drum Simulator Wood Block

Size A4	FCSM No. 19/11/2020	DWG No. cgs18-wood_block.schdoc	Rev 1
Scale	Laurie Biddulph		Sheet 4 of 6



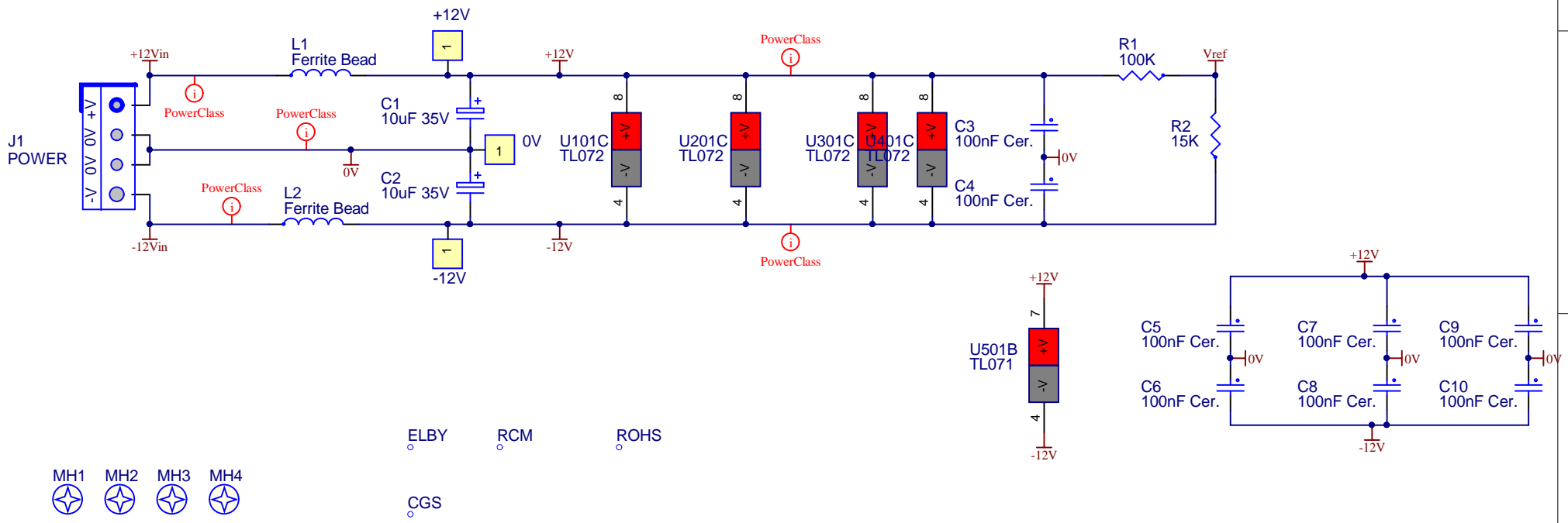
9 Follan Close
Kariang
NSW 2250
Australia

IMPORTANT NOTICE:
Information disclosed by this drawing is the property of ELBY Designs.
Duplication or manufacturing rights granted by written permission only.



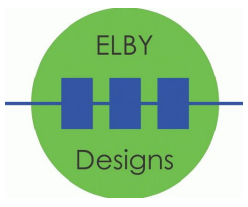
CGS18 Drum Simulator Mixer

Size A4	FCSM No. 19/11/2020	DWG No. cgs18-mixer.schdoc	Rev 1
Scale	Laurie Biddulph		Sheet 5 of 6



MH1 MH2 MH3 MH4

ELBY
CGS
RCM
ROHS



9 Follan Close
Karingong
NSW 2250
Australia

IMPORTANT NOTICE:
Information disclosed by this drawing is the property of ELBY Designs.
Duplication or manufacturing rights granted by written permission only.



**CGS18 Drum Simulator
Power Supply**

Size A4	FCSM No. 19/11/2020	DWG No. cgs18-power.schdoc	Rev 1
Scale	Laurie Biddulph	Sheet 6 of 6	