

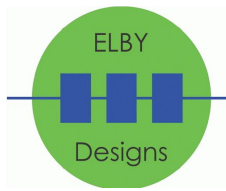
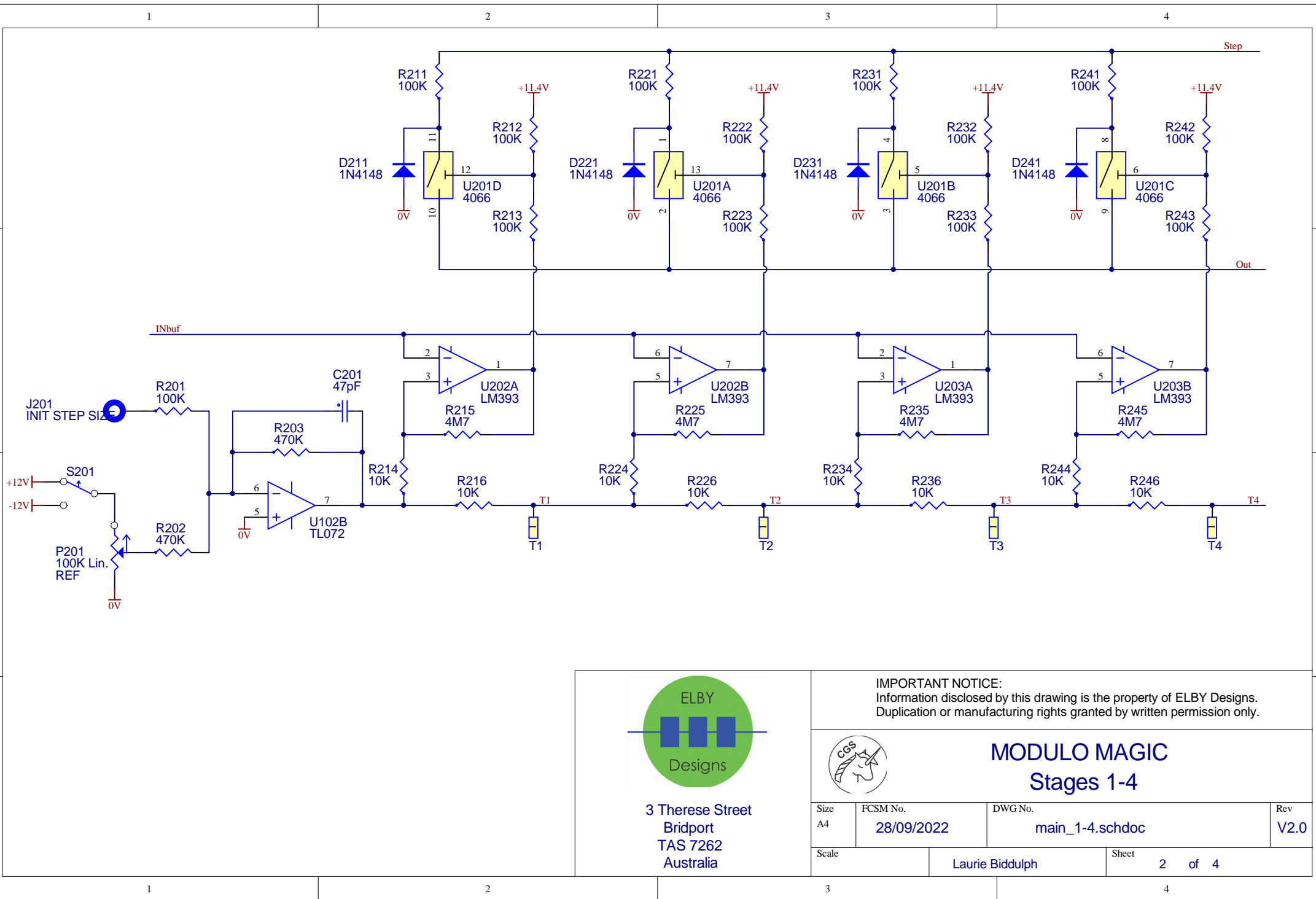
3 Therese Street
Bridport
TAS 7262
Australia

IMPORTANT NOTICE:
Information disclosed by this drawing is the property of ELBY Designs.
Duplication or manufacturing rights granted by written permission only.



MODULO MAGIC Buffers and Mixer

Size A4	FCSM No. 28/09/2022	DWG No. buffer-mix.schdoc	Rev V2.0
Scale	Laurie Biddulph	Sheet 1 of 4	



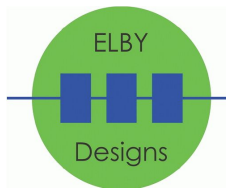
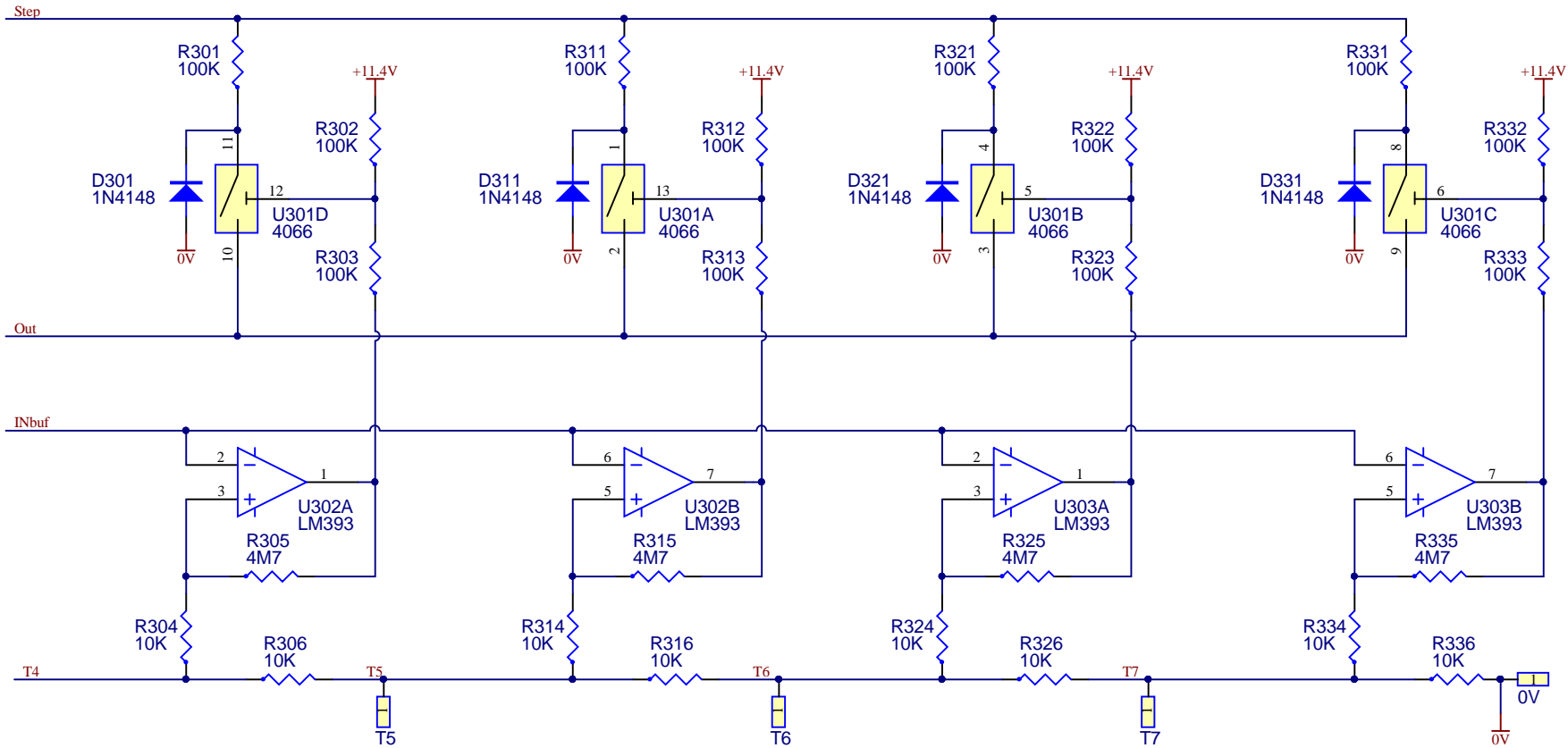
3 Therese Street
Bridport
TAS 7262
Australia

IMPORTANT NOTICE:
Information disclosed by this drawing is the property of ELBY Designs.
Duplication or manufacturing rights granted by written permission only.



MODULO MAGIC Stages 1-4

Size A4	FCSM No. 28/09/2022	DWG No. main_1-4.schdoc	Rev V2.0
Scale	Laurie Biddulph		Sheet 2 of 4



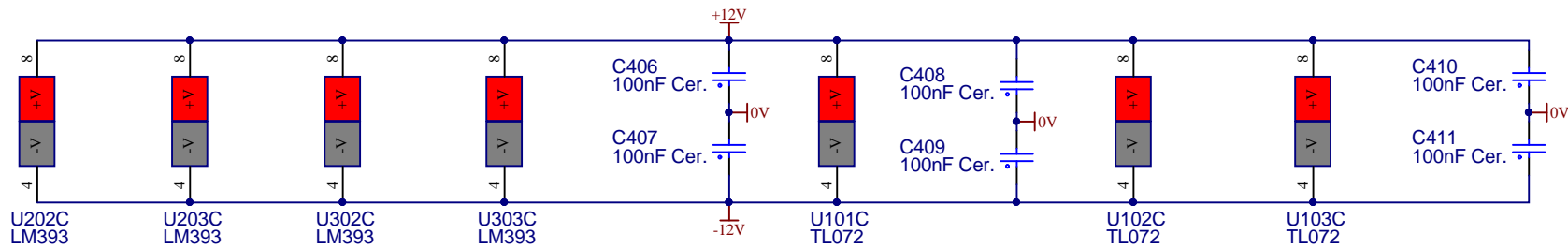
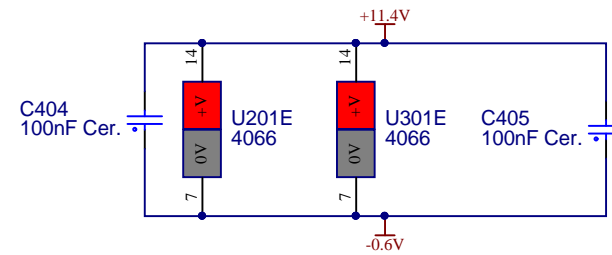
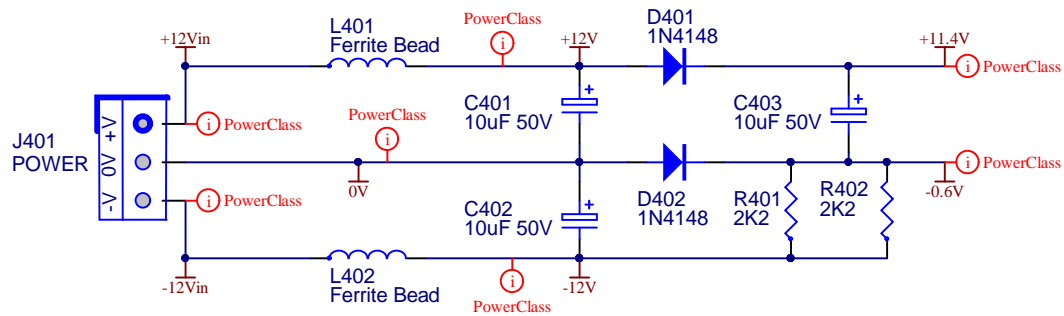
3 Therese Street
Bridport
TAS 7262
Australia

IMPORTANT NOTICE:
Information disclosed by this drawing is the property of ELBY Designs.
Duplication or manufacturing rights granted by written permission only.

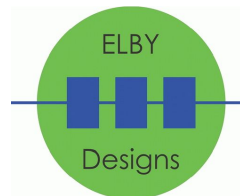


MODULO MAGIC Stages 5-8

Size A4	FCSM No. 28/09/2022	DWG No. main_5-8.schdoc	Rev V2.0
Scale	Laurie Biddulph		Sheet 3 of 4



LOGO-CGS RCM



3 Therese Street
Bridport
TAS 7262
Australia

IMPORTANT NOTICE:
Information disclosed by this drawing is the property of ELBY Designs.
Duplication or manufacturing rights granted by written permission only.



MODULO MAGIC Power Supply

Size A4	FCSM No. 28/09/2022	DWG No. power.schdoc	Rev V2.0
Scale	Laurie Biddulph		Sheet 4 of 4