


  
**ELBY**  
 Designs  
 5 Dunning Avenue  
 George Town  
 TAS 7253  
 Australia

**IMPORTANT NOTICE:**  
 Information disclosed by this drawing is the property of ELBY Designs.  
 Duplication or manufacturing rights granted by written permission only.


**CGS348 - VCO**  
 Input Summer

Size A4	FCSM No. 10/09/2023	DWG No. cgs348-summer.schdoc	Rev 3.1
Scale		Laurie Biddulph	Sheet 1 of 6

1

2

3

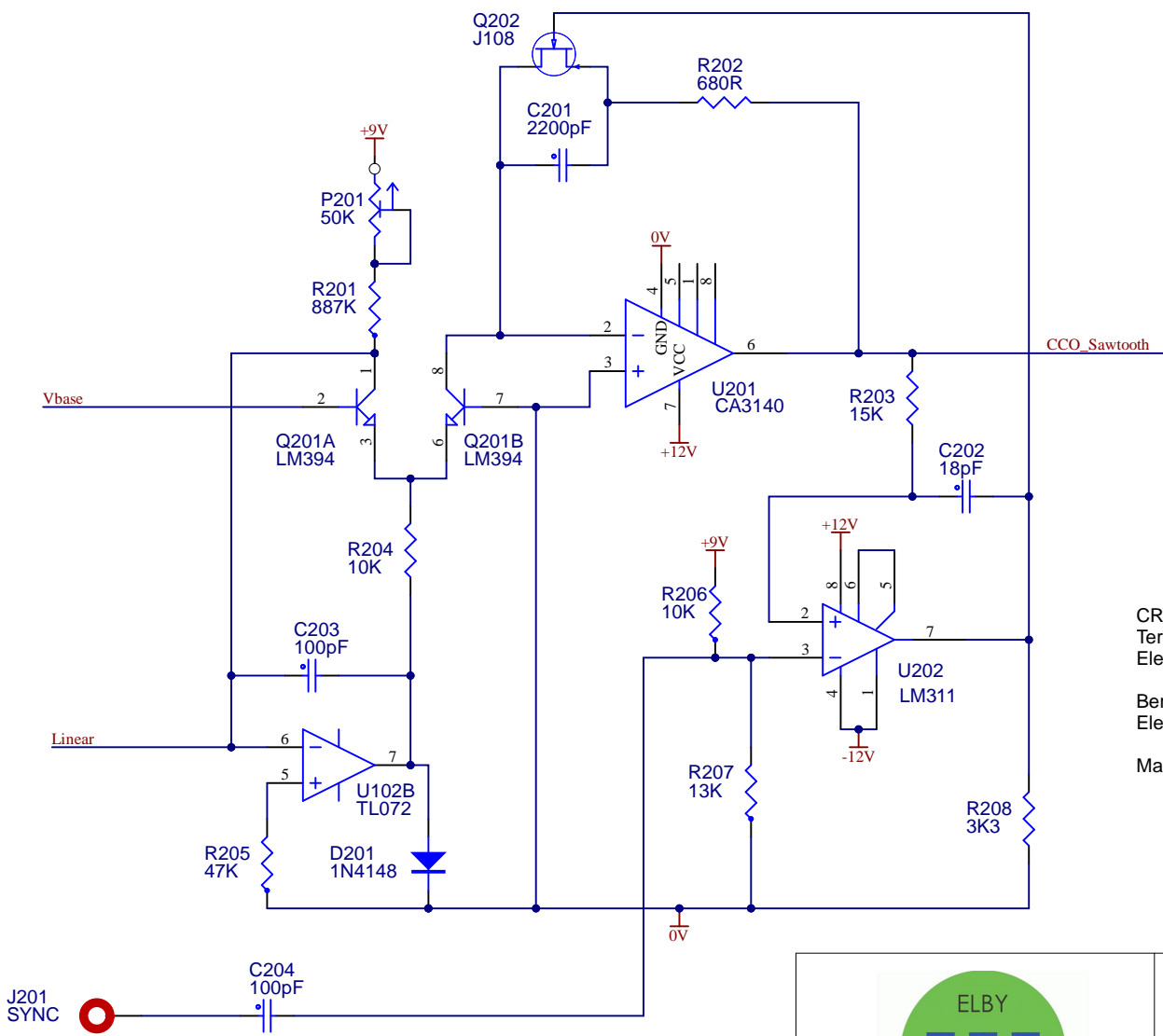
4

1

2

3

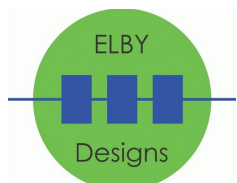
4



CREDITS:  
 Terry Mikulic, "New Design Ideas for Voltage-Controlled Oscillators"  
 Electronotes, Vol. 8, No. 62, Feb. 1976, pp 13-15

Bernie Hutchins, "The ENS-76 Home-Built Synthesizer System - Part 7, VCO Options"  
 Electronotes, Vol. 9, No. 75, March 1977, pp 3-10

Magnus Danielson, "Refinements to the ASM-1 VCO"



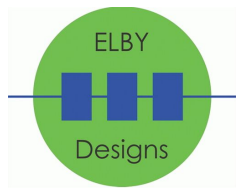
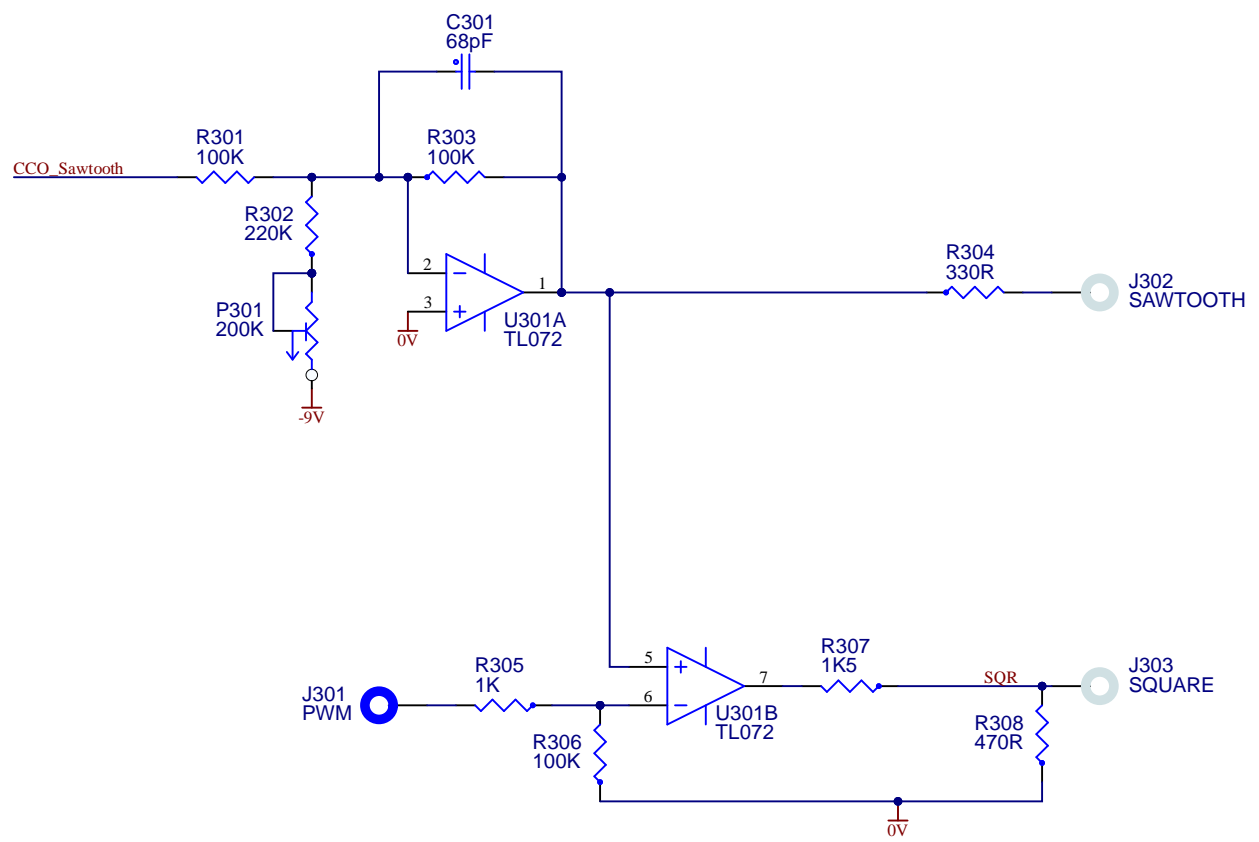
5 Dunning Avenue  
 George Town  
 TAS 7253  
 Australia

IMPORTANT NOTICE:  
 Information disclosed by this drawing is the property of ELBY Designs.  
 Duplication or manufacturing rights granted by written permission only.



## CGS348 - VCO Current-controlled Oscillator

Size A4	FCSM No. 10/09/2023	DWG No. cgs348-cco.schdoc	Rev 3.1
Scale	Laurie Biddulph		Sheet 2 of 6



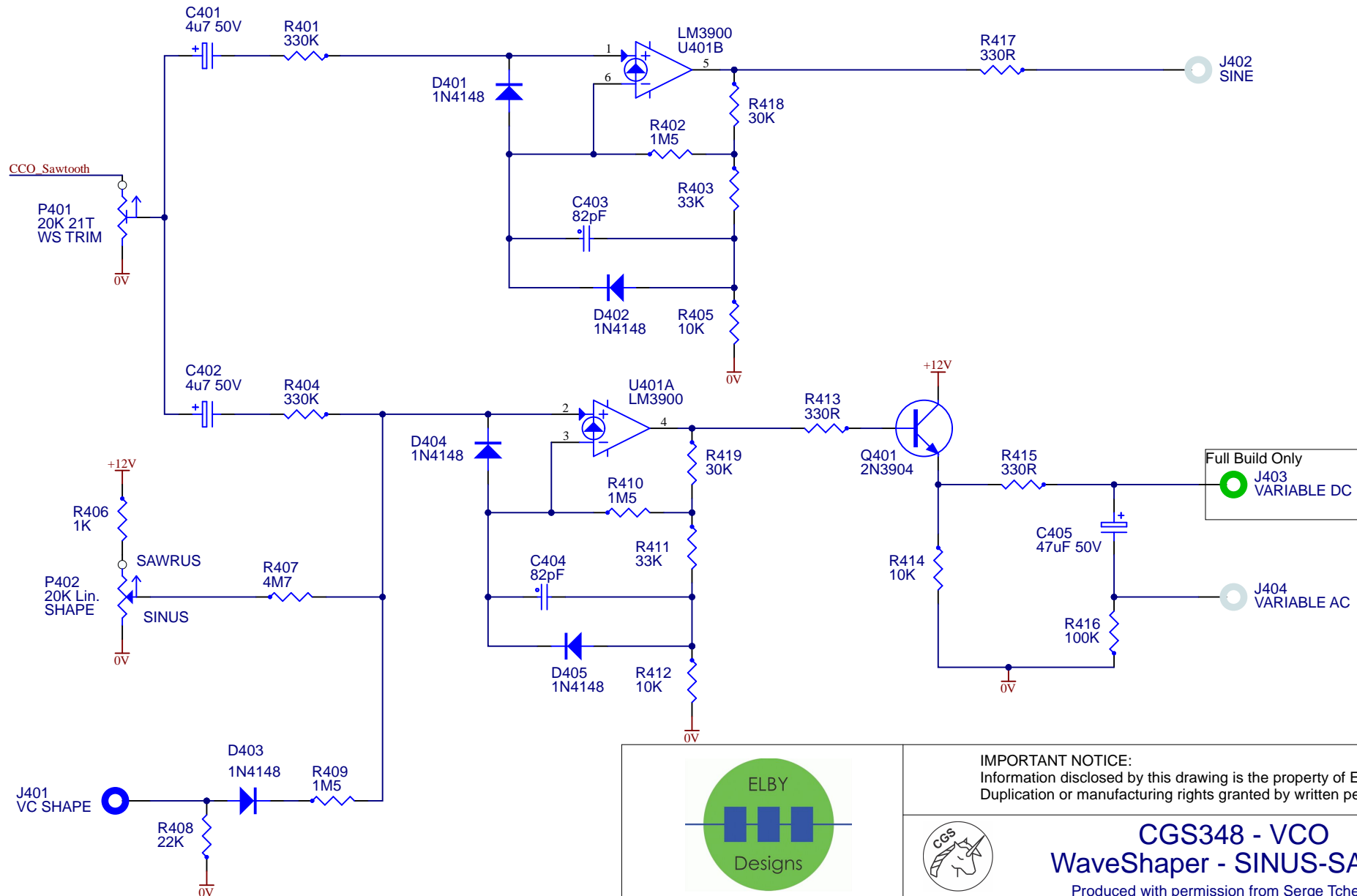
5 Dunning Avenue  
George Town  
TAS 7253  
Australia

**IMPORTANT NOTICE:**  
Information disclosed by this drawing is the property of ELBY Designs.  
Duplication or manufacturing rights granted by written permission only.



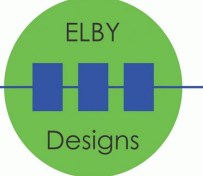
## CGS348 - VCO WaveShaper - SAW-SQR

Size A4	FCSM No. 10/09/2023	DWG No. cgs348-shape-saw-sqr.schdoc	Rev 3.1
Scale		Laurie Biddulph	Sheet 3 of 6



Full Build Only  
 J403  
 VARIABLE DC

J404  
 VARIABLE AC



5 Dunning Avenue  
 George Town  
 TAS 7253  
 Australia

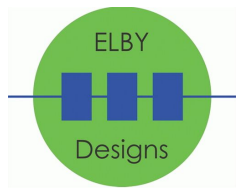
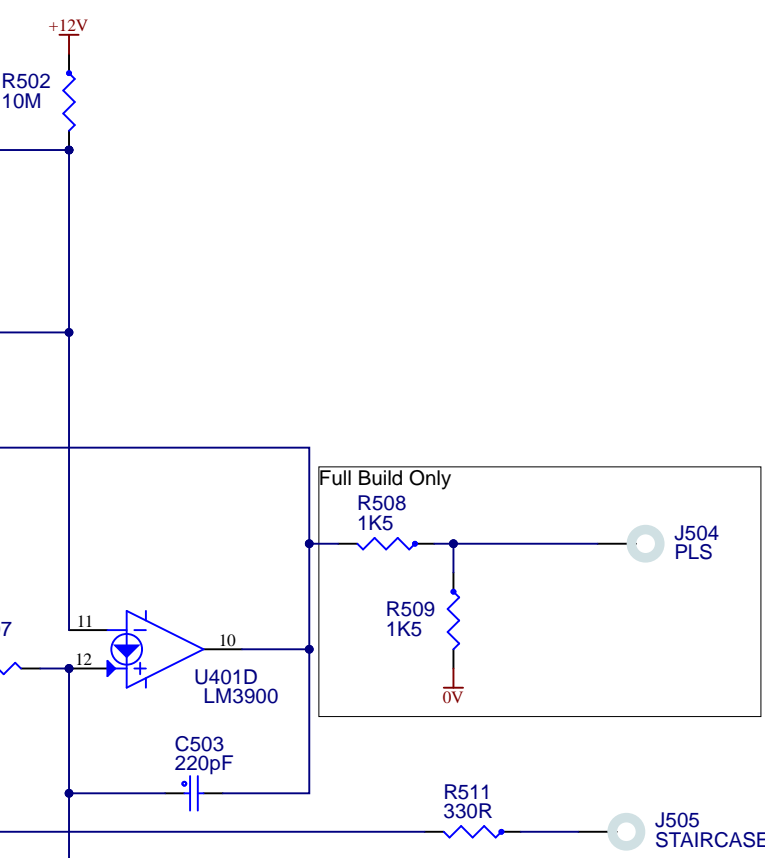
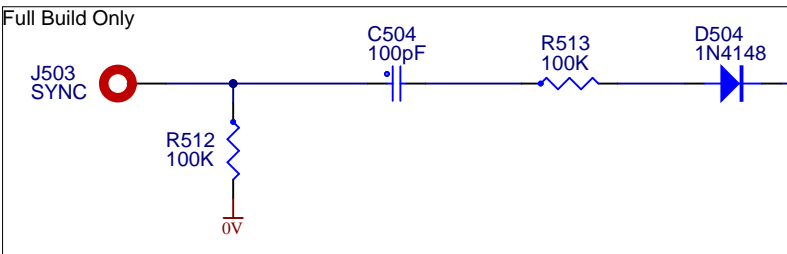
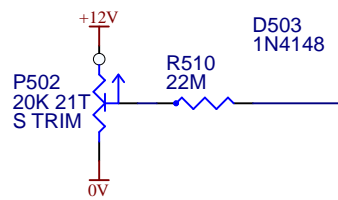
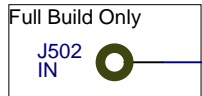
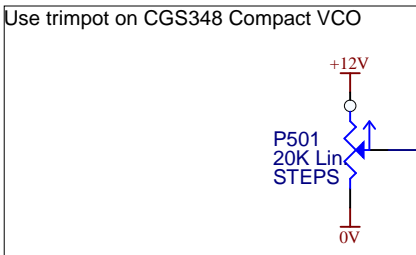
IMPORTANT NOTICE:  
 Information disclosed by this drawing is the property of ELBY Designs.  
 Duplication or manufacturing rights granted by written permission only.



# CGS348 - VCO WaveShaper - SINUS-SAWRUS

Produced with permission from Serge Tcherepnin

Size A4	FCSM No. 10/09/2023	DWG No. cgs348-shaper.schdoc	Rev 3.1
Scale	Laurie Biddulph	Sheet 4 of 6	



5 Dunning Avenue  
George Town  
TAS 7253  
Australia

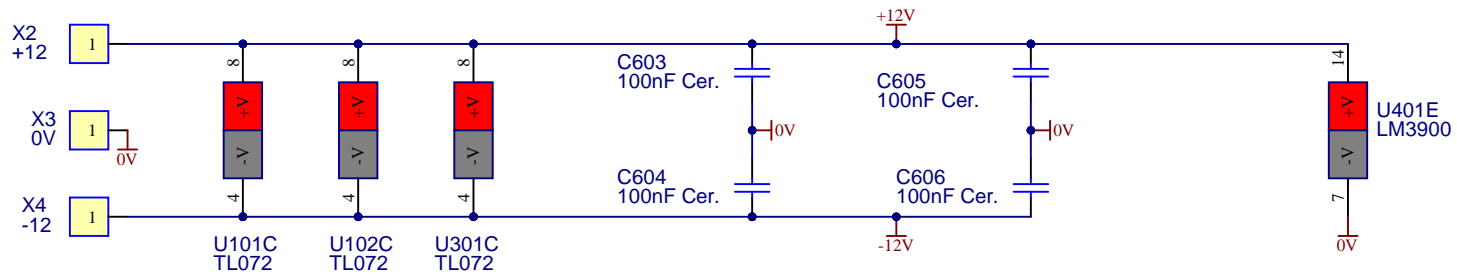
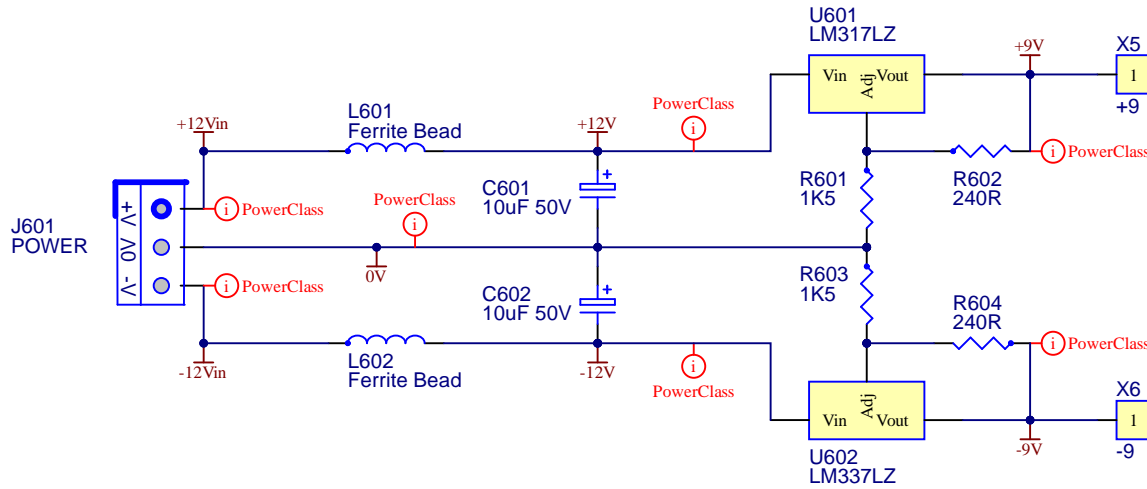
**IMPORTANT NOTICE:**  
Information disclosed by this drawing is the property of ELBY Designs.  
Duplication or manufacturing rights granted by written permission only.



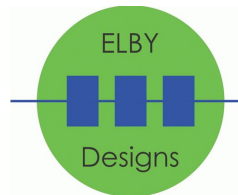
## CGS348 - VCO

### WaveShaper - PULSE-STAIRCASE

Size A4	FCSM No. 10/09/2023	DWG No. cgs348-shape-stair-pulse.schdoc	Rev 3.1
Scale	Laurie Biddulph		Sheet 5 of 6



LOGO-CGS  
RCM



5 Dunning Avenue  
George Town  
TAS 7253  
Australia

**IMPORTANT NOTICE:**

Information disclosed by this drawing is the property of ELBY Designs. Duplication or manufacturing rights granted by written permission only.



**CGS348 - VCO  
Power Supply**

Size A4	FCSM No. 10/09/2023	DWG No. cgs348-power.schdoc	Rev 3.1
Scale		Laurie Biddulph	Sheet 6 of 6