

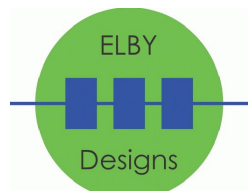
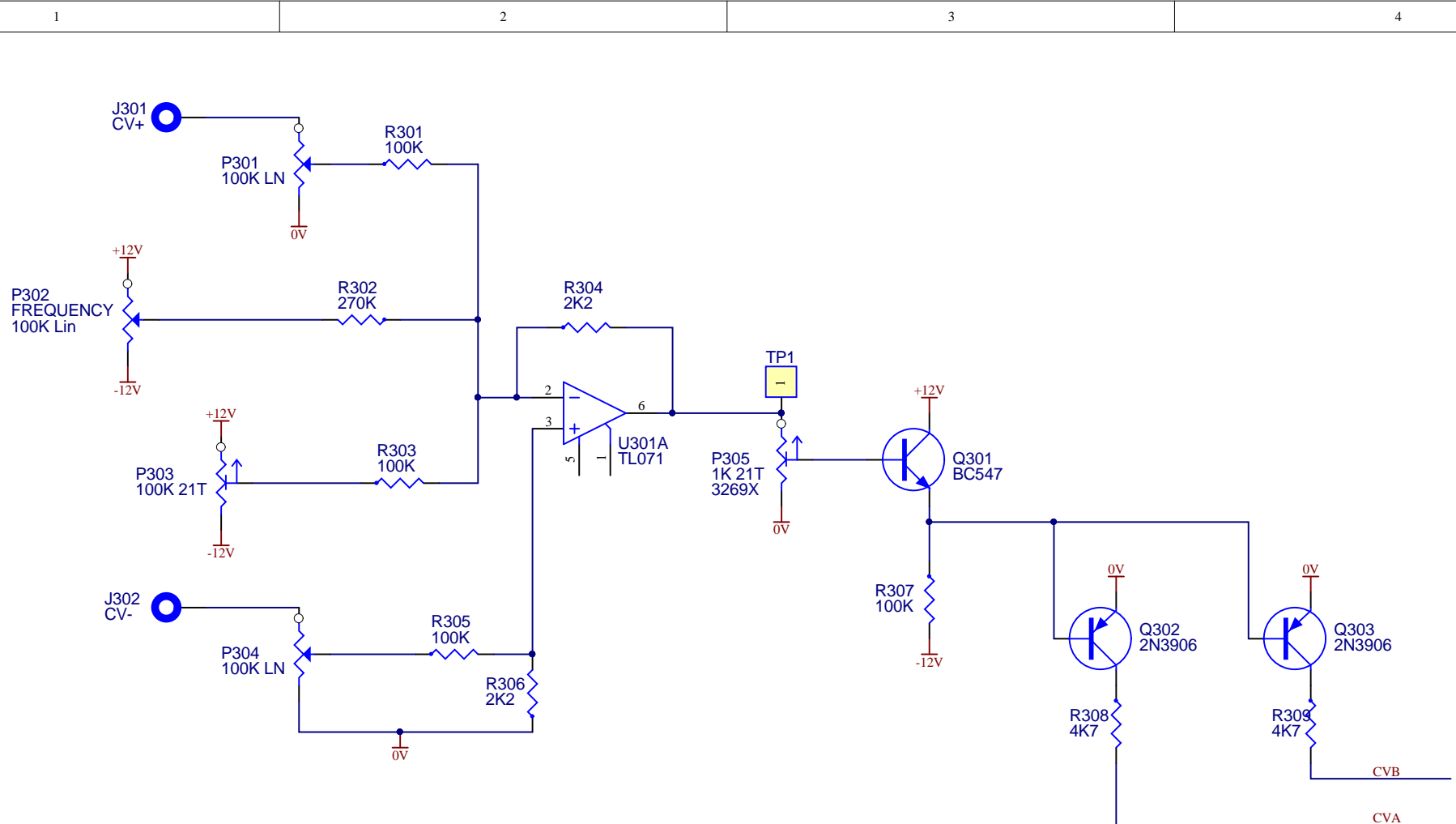
3 Therese Street
Bridport
TAS 7262
Australia

IMPORTANT NOTICE:
Information disclosed by this drawing is the property of ELBY Designs.
Duplication or manufacturing rights granted by written permission only.

CGS349 - CMOS Filter WASP Filter

Reproduced with permission from Ken Stone

Size A4	FCSM No. 25/09/2022	DWG No. cgs349-filter.schdoc	Rev V2.0
Scale	Laurie Biddulph		Sheet 1 of 4



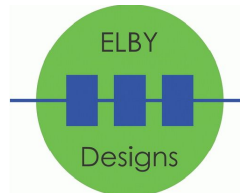
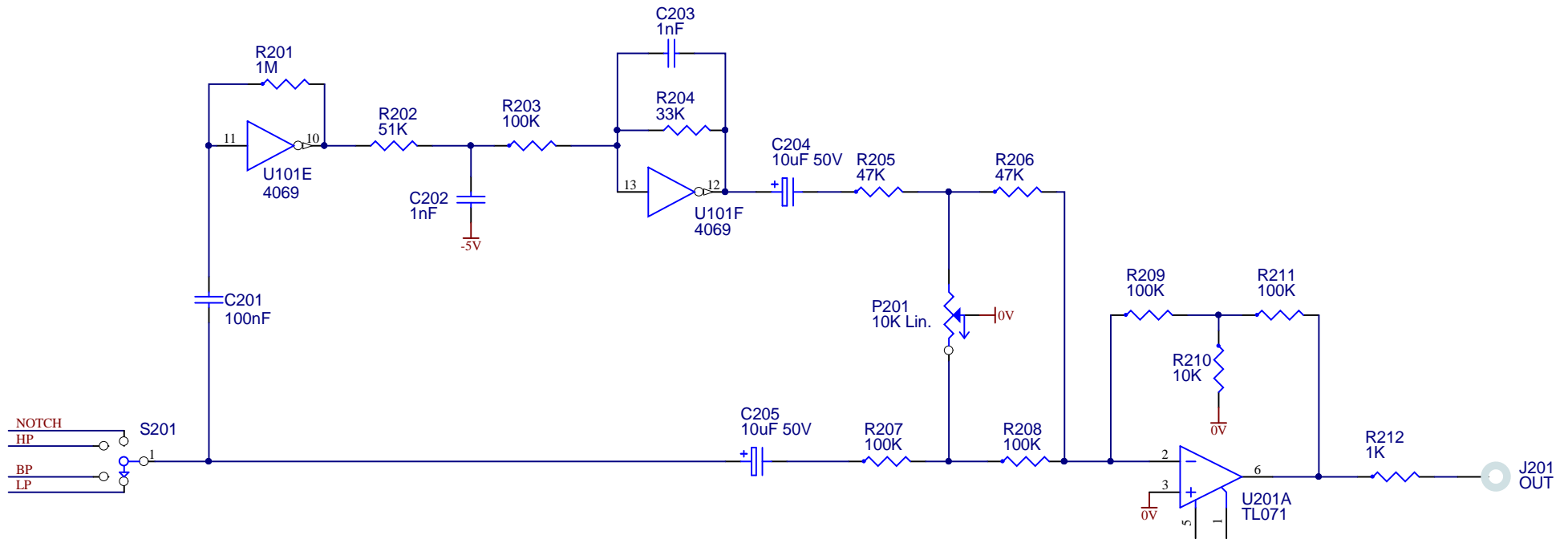
3 Therese Street
Bridport
TAS 7262
Australia

IMPORTANT NOTICE:
Information disclosed by this drawing is the property of ELBY Designs.
Duplication or manufacturing rights granted by written permission only.

CGS349 - CMOS Filter Control Stage

Reproduced with permission from Ken Stone

Size A4	FCSM No. 25/09/2022	DWG No. cgs349-control.schdoc	Rev V2.0
Scale	Laurie Biddulph		Sheet 2 of 4



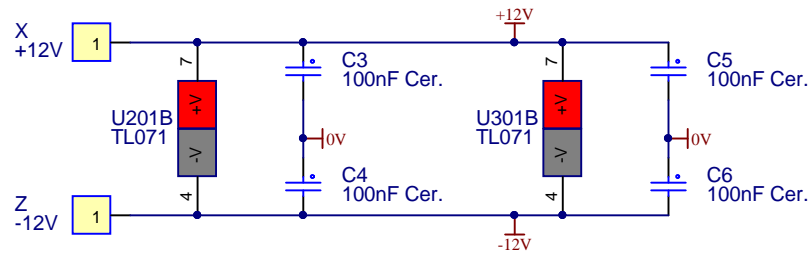
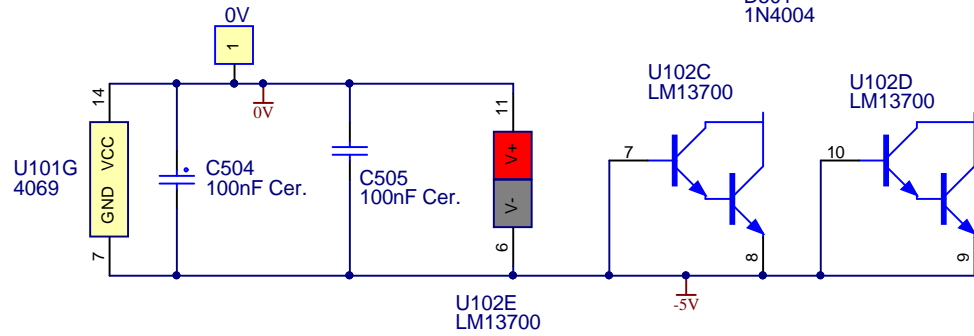
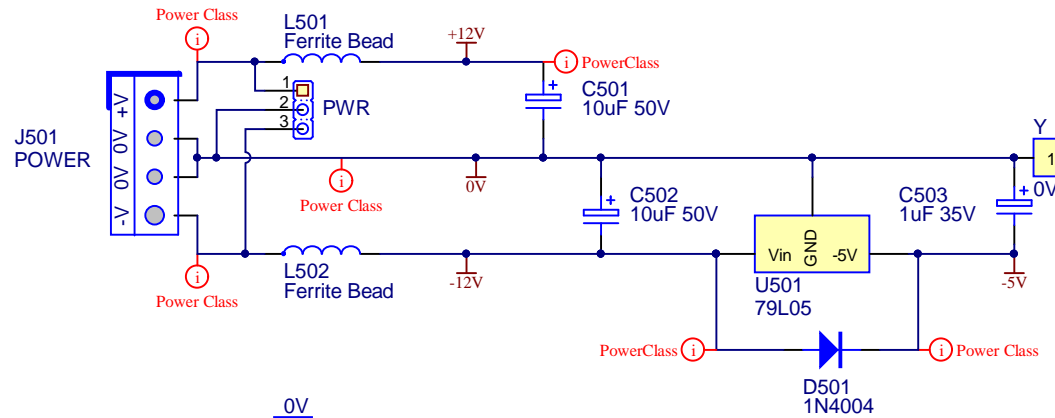
3 Therese Street
Bridport
TAS 7262
Australia

IMPORTANT NOTICE:
Information disclosed by this drawing is the property of ELBY Designs.
Duplication or manufacturing rights granted by written permission only.

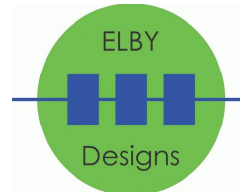
CGS749 - WASP Filter Output Mixer

Reproduced with permission from Ken Stone

Size A4	FCSM No. 25/09/2022	DWG No. cgs349-mixer.schdoc	Rev V2.0
Scale	Laurie Biddulph		Sheet 3 of 4



LOGO LOGO-CGS RoHS RCM



3 Therese Street
Bridport
TAS 7262
Australia

IMPORTANT NOTICE:
Information disclosed by this drawing is the property of ELBY Designs.
Duplication or manufacturing rights granted by written permission only.

CGS349 - CMOS Filter Power Supply

Reproduced with permission from Ken Stone

Size A4	FCSM No. 25/09/2022	DWG No. cgs349-power.schdoc	Rev V2.0
Scale	Laurie Biddulph		Sheet 4 of 4