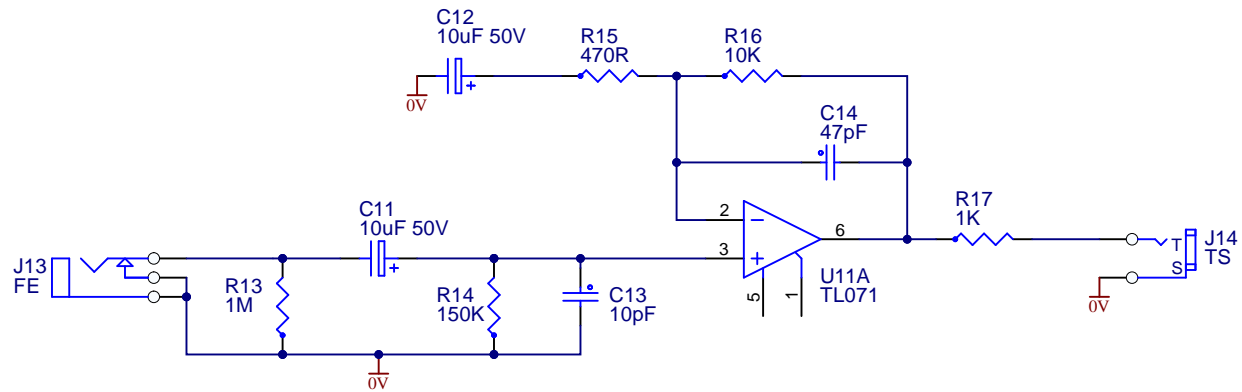
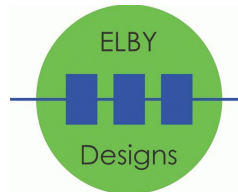
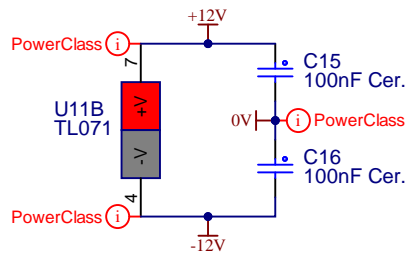


SEND



RECEIVE



5 Dunning Avenue  
George Town  
TAS 7253  
Australia

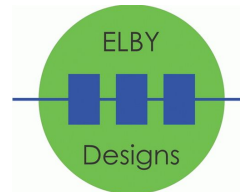
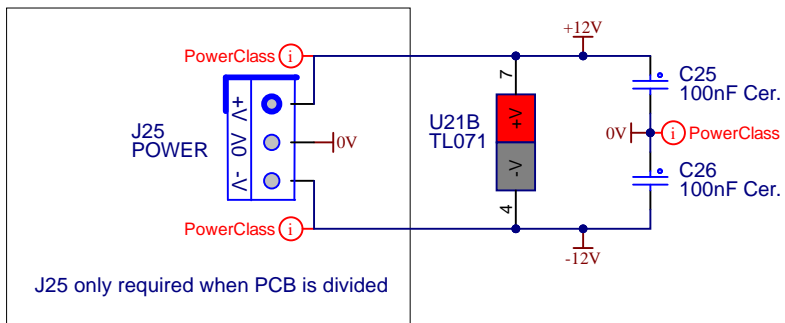
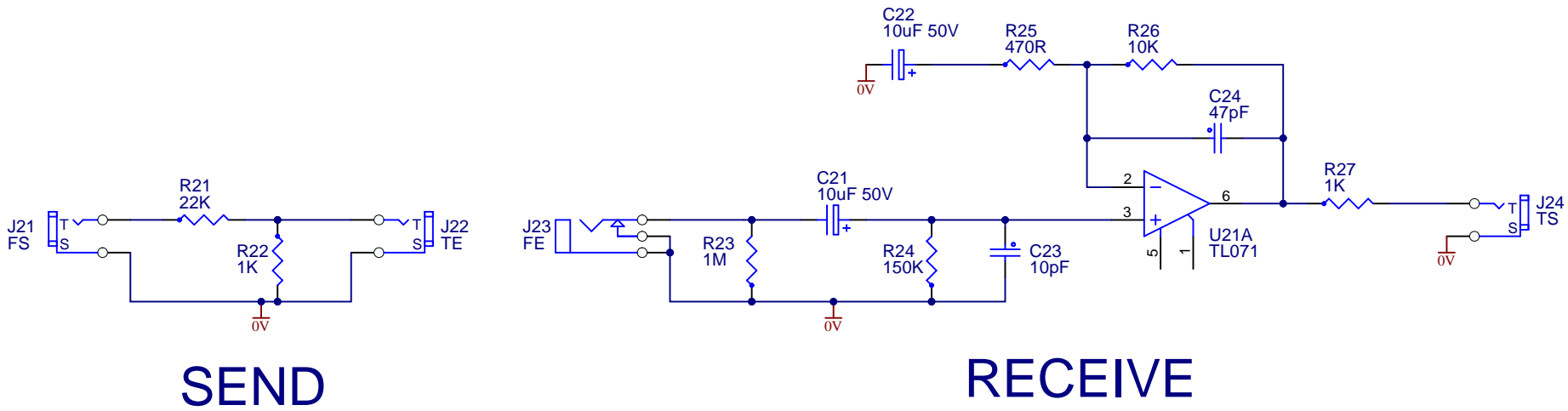
IMPORTANT NOTICE:  
Information disclosed by this drawing is the property of ELBY Designs.  
Duplication or manufacturing rights granted by written permission only.



**CGS360 StompBox Adaptor  
Stage 1**

Produced with permission from Ken Stone

Size A4	FCSMNo. 19/04/2024	DWG No. cgs60-stage1.schdoc	Rev V2.2
Scale	Laurie Biddulph	Sheet 1 of 4	



5 Dunning Avenue  
George Town  
TAS 7253  
Australia

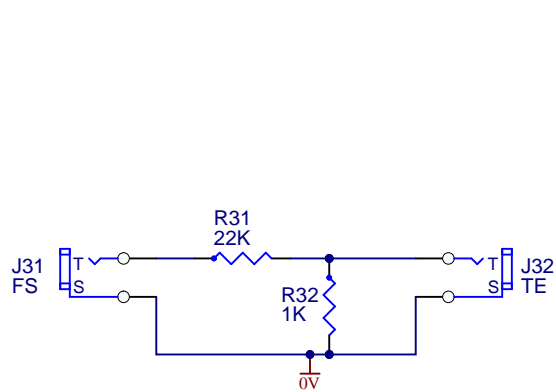
**IMPORTANT NOTICE:**  
Information disclosed by this drawing is the property of ELBY Designs.  
Duplication or manufacturing rights granted by written permission only.



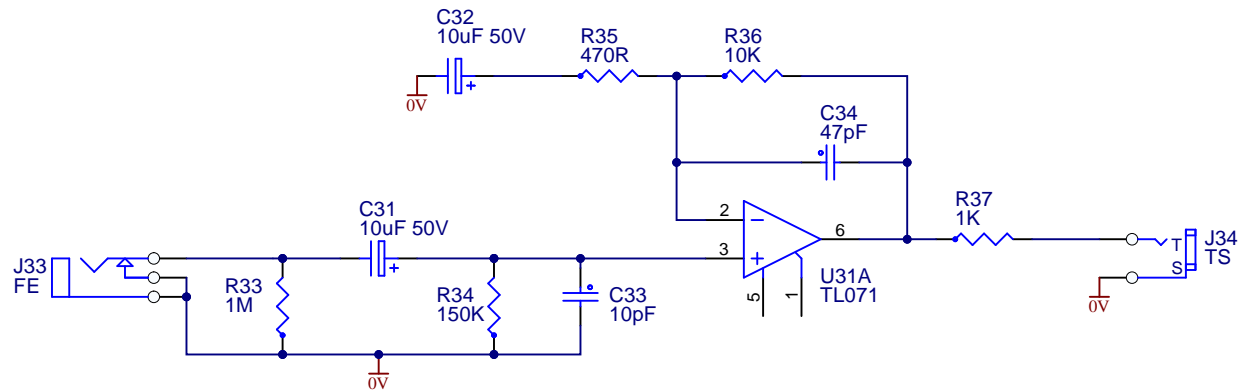
## CGS360 StompBox Adaptor Stage 2

Produced with permission from Ken Stone

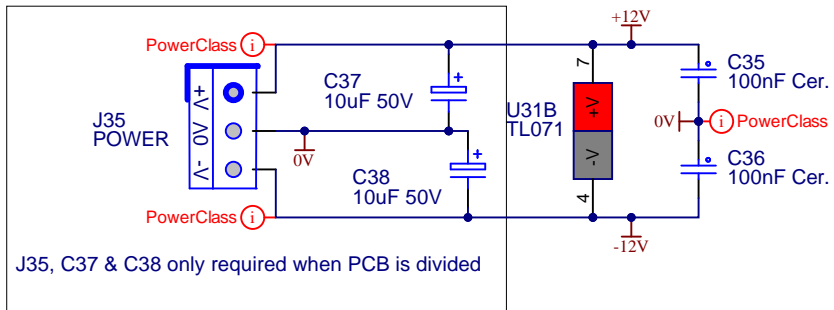
Size A4	FCSM No. 19/04/2024	DWG No. cgs60-stage2.schdoc	Rev V2.2
Scale	Laurie Biddulph	Sheet 2 of 4	



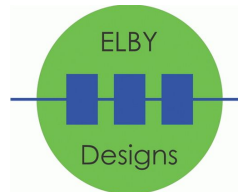
SEND



RECEIVE



J35, C37 & C38 only required when PCB is divided



5 Dunning Avenue  
George Town  
TAS 7253  
Australia

IMPORTANT NOTICE:

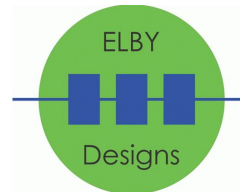
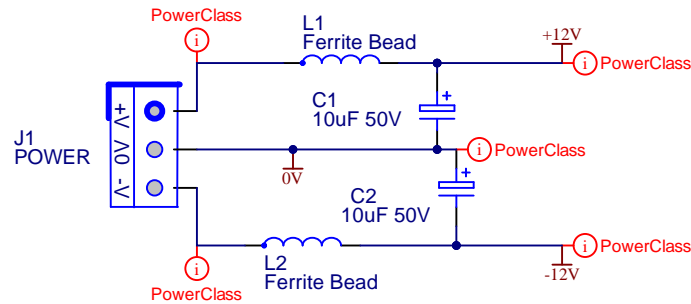
Information disclosed by this drawing is the property of ELBY Designs. Duplication or manufacturing rights granted by written permission only.



CGS360 StompBox Adaptor  
Stage 3

Produced with permission from Ken Stone

Size A4	FCSM No. 19/04/2024	DWG No. cgs60-stage3.schdoc	Rev V2.2
Scale	Laurie Biddulph	Sheet 3 of 4	



5 Dunning Avenue  
 George Town  
 TAS 7253  
 Australia

**IMPORTANT NOTICE:**  
 Information disclosed by this drawing is the property of ELBY Designs.  
 Duplication or manufacturing rights granted by written permission only.



## CGS360 StompBox Adaptor Power

Produced with permission from Ken Stone

Size A4	FCSM No. 19/04/2024	DWG No. cgs60-power.schdoc	Rev V2.2
Scale	Laurie Biddulph	Sheet 4 of 4	