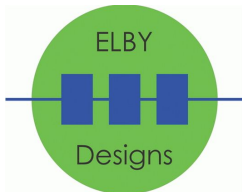


cgs364-power.schdoc

cgs364-amplifier.schdoc



3 Therese Street  
Bridport  
TAS 7262  
Australia

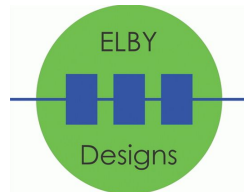
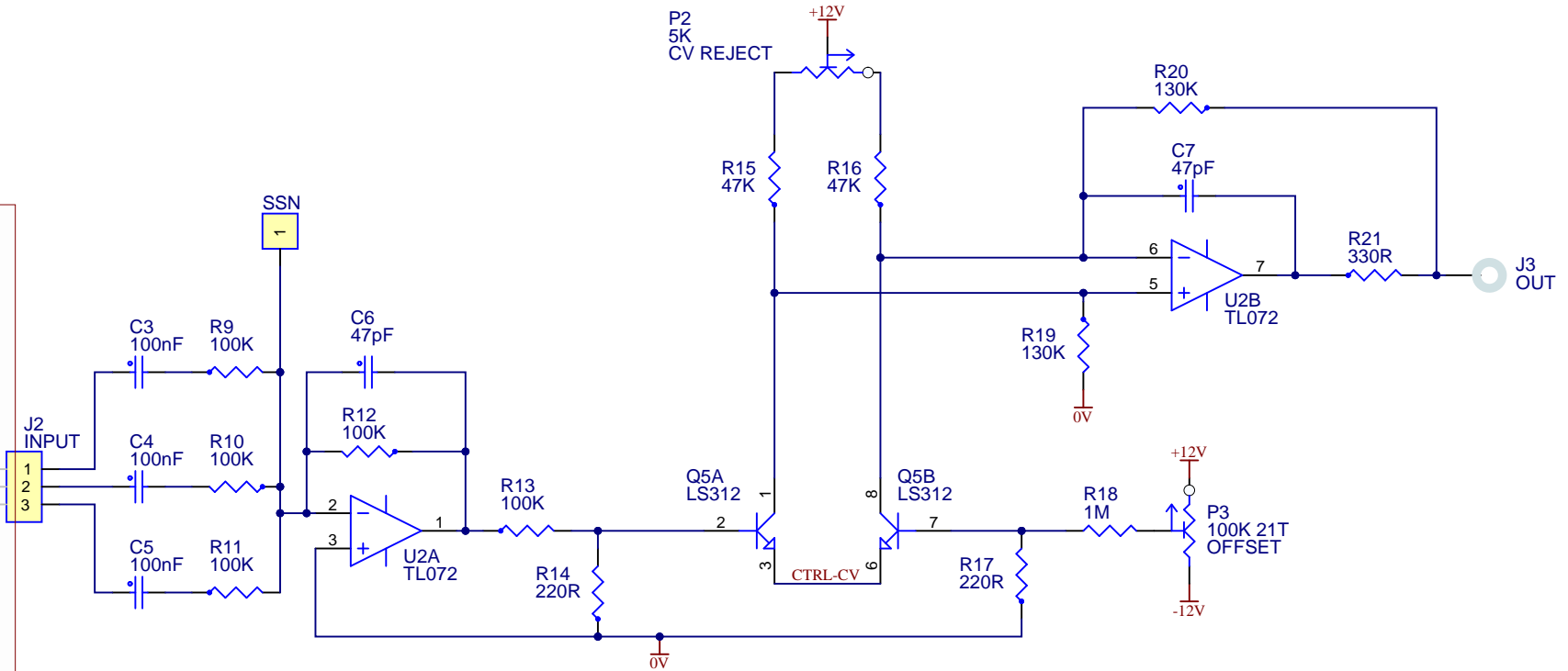
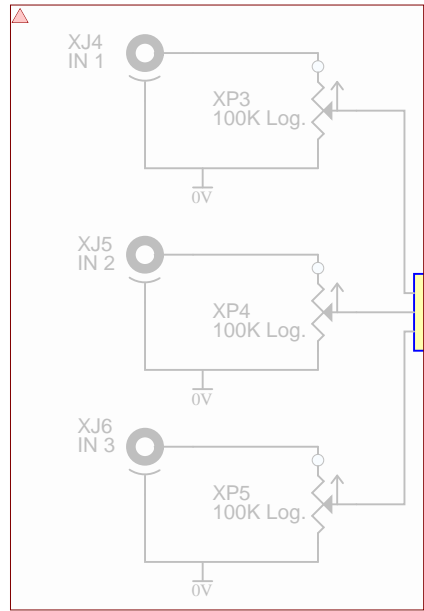
**IMPORTANT NOTICE:**  
Information disclosed by this drawing is the property of ELBY Designs.  
Duplication or manufacturing rights granted by written permission only.



## CGS364 - VCA Control Stage

Produced with permission from Rene Schmitz

|                    |                 |                                  |                 |
|--------------------|-----------------|----------------------------------|-----------------|
| Size<br>A4         | FCSMNo.         | DWG No.<br>cgs364-control.schdoc | Rev<br>V2.0     |
| Scale<br>6/07/2023 | Laurie Biddulph |                                  | Sheet<br>1 of 4 |



3 Therese Street  
Bridport  
TAS 7262  
Australia

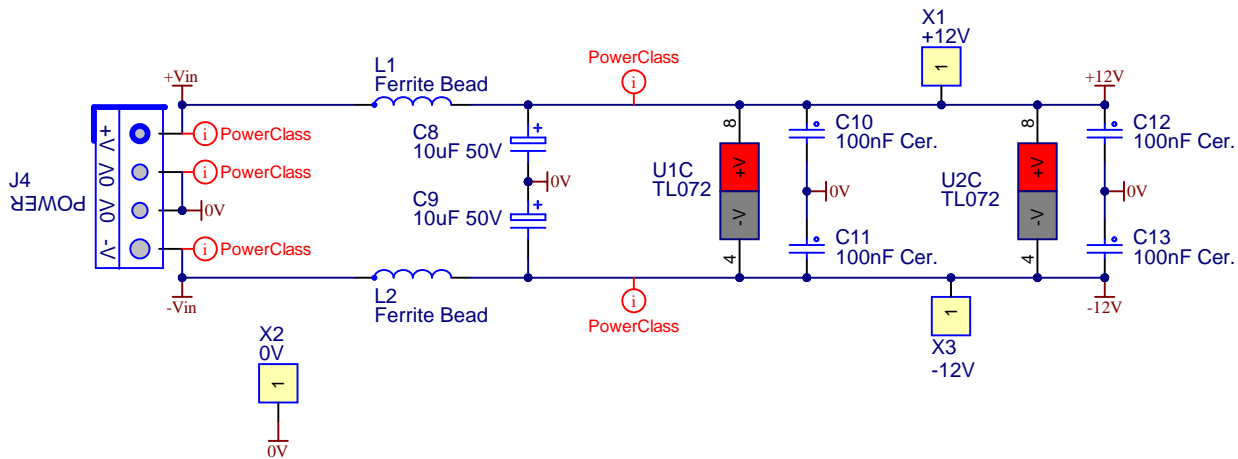
**IMPORTANT NOTICE:**  
Information disclosed by this drawing is the property of ELBY Designs.  
Duplication or manufacturing rights granted by written permission only.



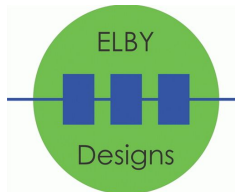
## CGS364 - VCA Amplifier Stage

Produced with permission from Rene Schmitz

|                    |                 |                                    |                 |
|--------------------|-----------------|------------------------------------|-----------------|
| Size<br>A4         | FCSM No.        | DWG No.<br>cgs364-amplifier.schdoc | Rev<br>V2.0     |
| Scale<br>6/07/2023 | Laurie Biddulph |                                    | Sheet<br>2 of 4 |



LOGO-CGS  
 LOGO RCM RoHS



3 Therese Street  
 Bridport  
 TAS 7262  
 Australia

**IMPORTANT NOTICE:**  
 Information disclosed by this drawing is the property of ELBY Designs.  
 Duplication or manufacturing rights granted by written permission only.



### CGS364 - VCA Power Supply

Produced with permission from Rene Schmitz

|                    |                 |                                |                 |
|--------------------|-----------------|--------------------------------|-----------------|
| Size<br>A4         | FCSMNo.         | DWG No.<br>cgs364-power.schdoc | Rev<br>V2.0     |
| Scale<br>6/07/2023 | Laurie Biddulph |                                | Sheet<br>3 of 4 |

1

2

3

4

A

A

B

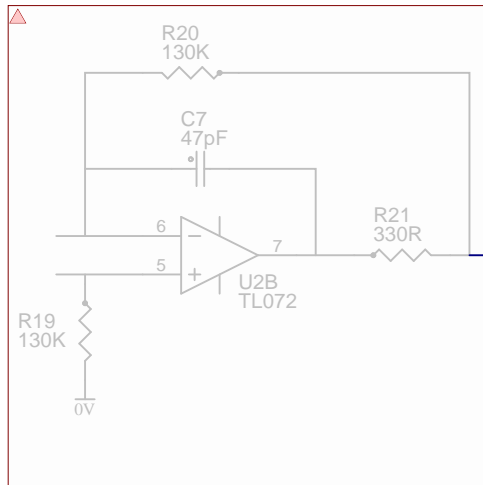
B

C

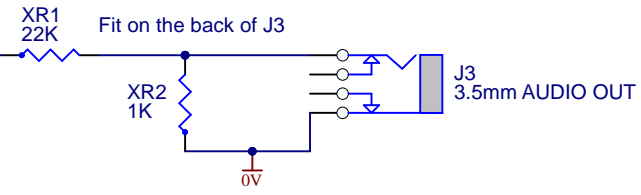
C

D

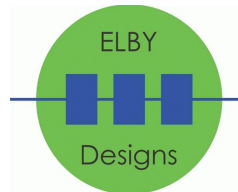
D



Original Panel Connection To J3 [OUT]



XR1 may need to be changed to a smaller/larger value depending on the external equipment being used  
We recommend no less than 4K7



3 Therese Street  
Bridport  
TAS 7262  
Australia

**IMPORTANT NOTICE:**  
Information disclosed by this drawing is the property of ELBY Designs.  
Duplication or manufacturing rights granted by written permission only.



### CGS364 - VCA Audio Out Options

|                    |                 |  |                 |
|--------------------|-----------------|--|-----------------|
| Size<br>A4         | FCSMNo.         | DWG No.<br>cgs364-audio-output-option.schdoc | Rev<br>V2.0     |
| Scale<br>6/07/2023 | Laurie Biddulph |  | Sheet<br>4 of 4 |

1

2

3

4