

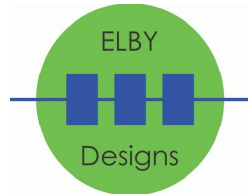
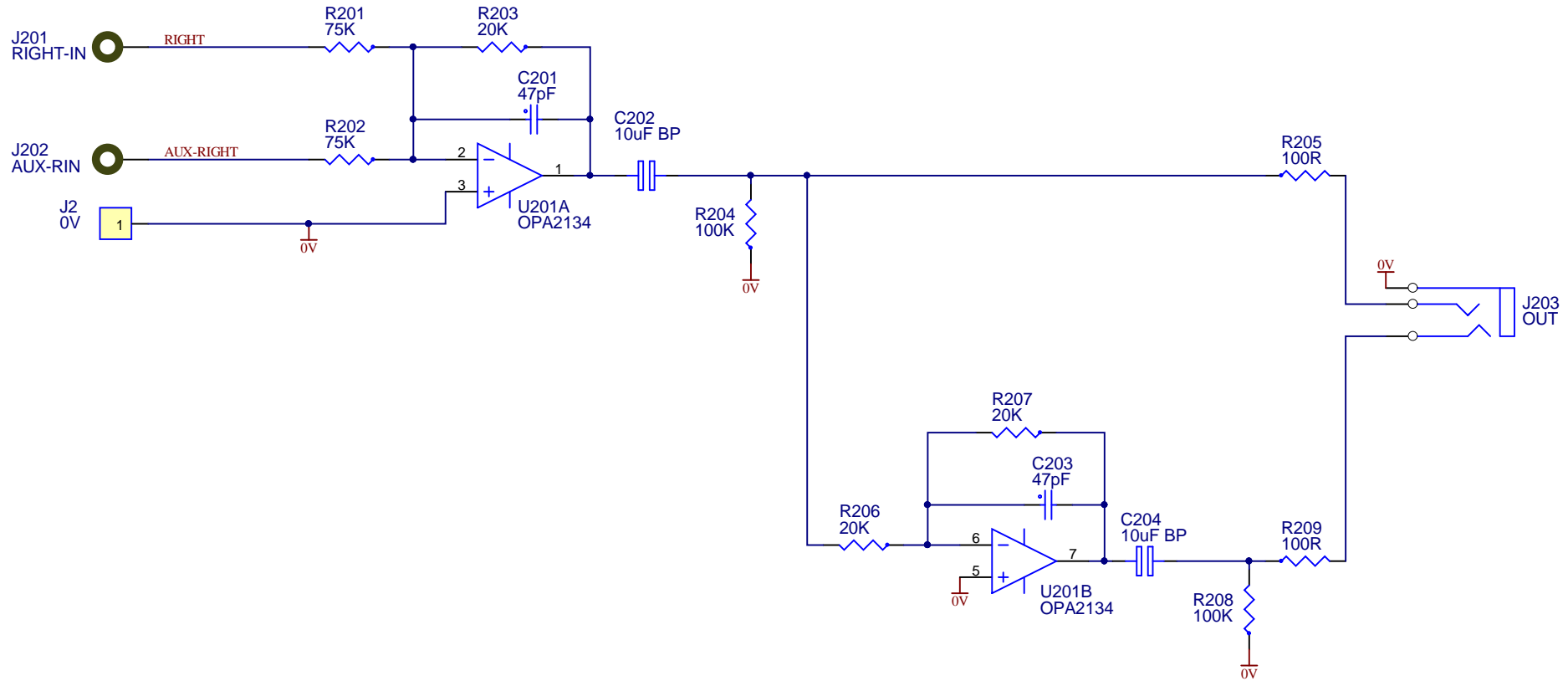
3 Therese Street
Bridport
TAS 7262
Australia

IMPORTANT NOTICE:
Information disclosed by this drawing is the property of ELBY Designs.
Duplication or manufacturing rights granted by written permission only.

CGS412 - Dual Balanced Outputs

Balanced Output - Left

Size A4	FCSM No. 11/01/2022	DWG No. cgs412-balanced-left.schdoc	Rev P0.0
Scale	Laurie Biddulph		Sheet 1 of 3

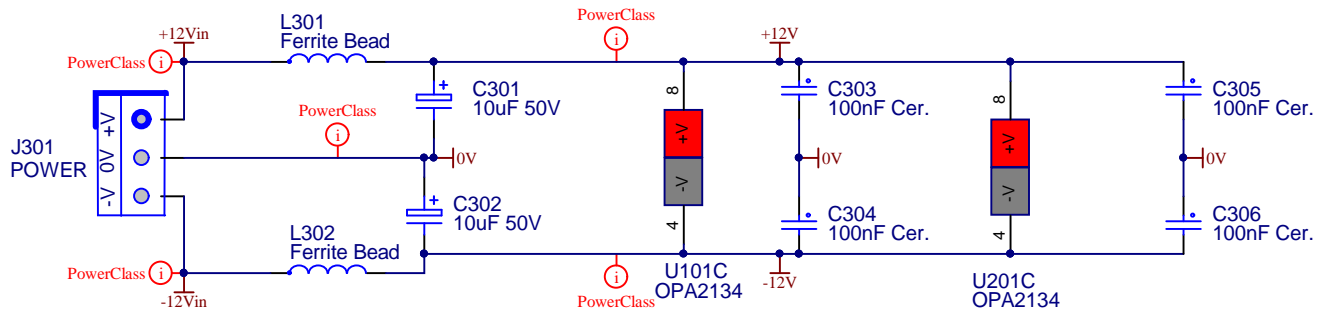


3 Therese Street
Bridport
TAS 7262
Australia

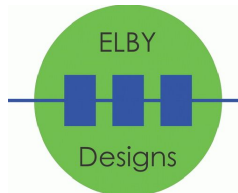
IMPORTANT NOTICE:
Information disclosed by this drawing is the property of ELBY Designs.
Duplication or manufacturing rights granted by written permission only.

CGS412 - Dual Balanced Outputs Balanced Output - Right

Size A4	FCSM No. 11/01/2022	DWG No. cgs412-balanced-right.schdoc	Rev P0.0
Scale	Laurie Biddulph		Sheet 2 of 3



RCM LOGO RoHS



3 Therese Street
Bridport
TAS 7262
Australia

IMPORTANT NOTICE:
Information disclosed by this drawing is the property of ELBY Designs.
Duplication or manufacturing rights granted by written permission only.

CGS412 - Dual Balanced Outputs Power Supply

Size A4	FCSM No. 11/01/2022	DWG No. cgs412-power.schdoc	Rev P0.0
Scale	Laurie Biddulph		Sheet 3 of 3