

1

2

3

4

A

A

B

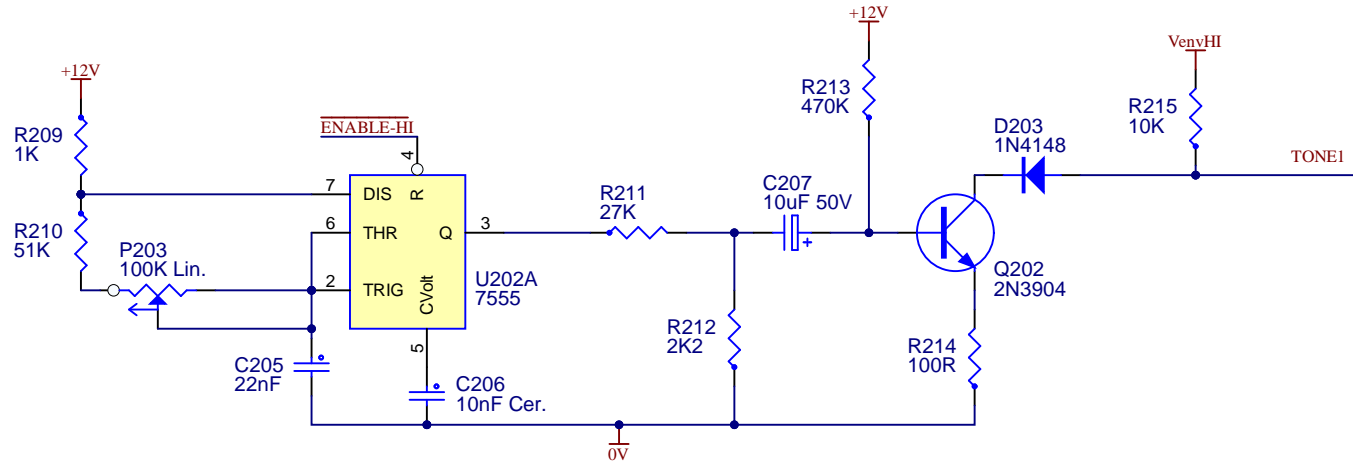
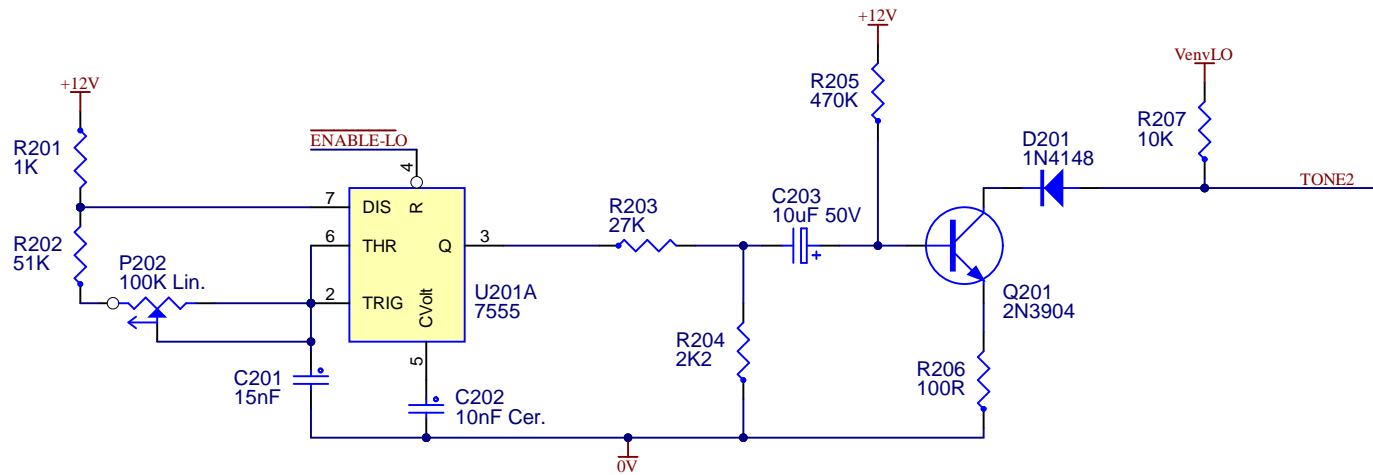
B

C

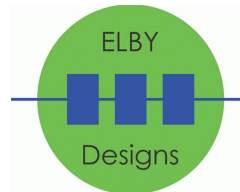
C

D

D



TR808: 540Hz & 800Hz (1:1.48)
 CR8000: 540Hz & 833Hz (1:1.54)
 SOS: 587Hz & 845Hz (1:1.44)



5 Dunning Avenue
 George Town
 TAS 7253
 Australia

CGS419 - Dual Chimes

LFO 1

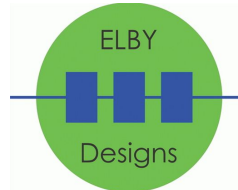
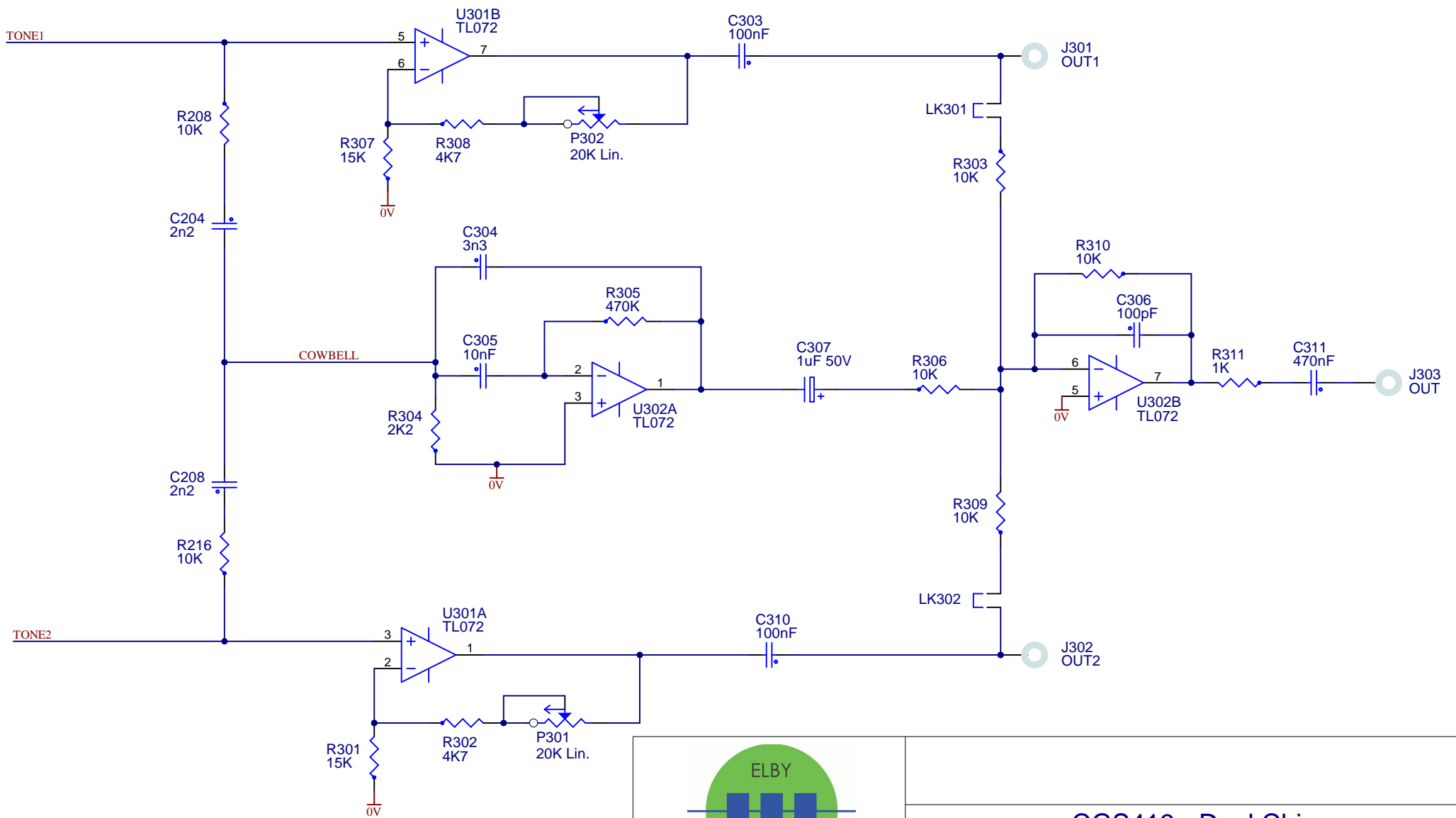
Size A4	FCSMNo. 7/07/2023	DWG No. cgs419-tone-generators.schdoc	Rev V2.1
Scale	Laurie Biddulph	Sheet 1 of 4	

1

2

3

4

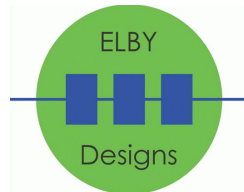
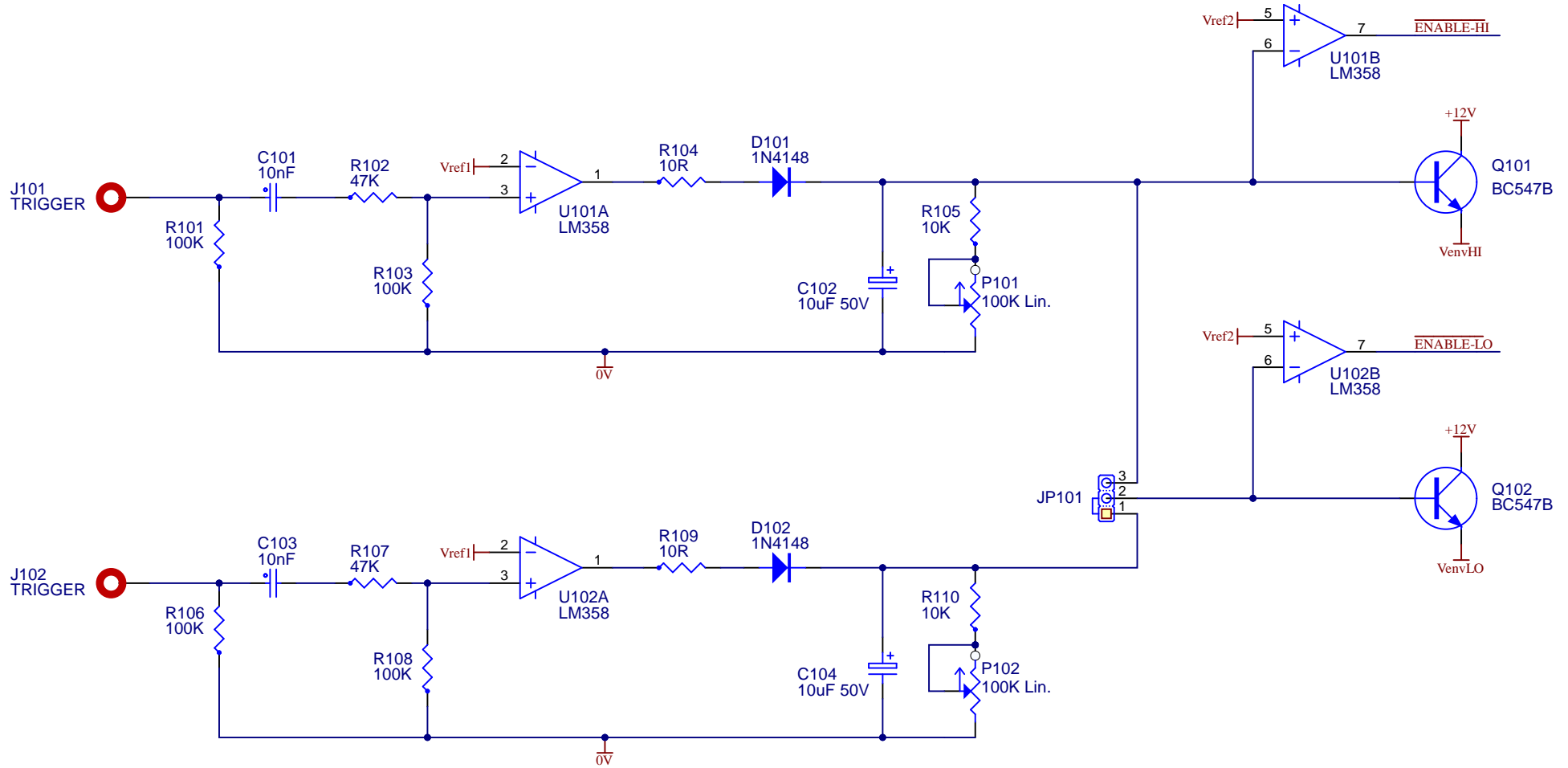


5 Dunning Avenue
George Town
TAS 7253
Australia

CGS419 - Dual Chimes LFO 1

Reproduced with permission from Ken Stone

Size A4	FCSMNo. 7/07/2023	DWG No. cgs419-output.schdoc	Rev V2.1
Scale	Laurie Biddulph	Sheet 2 of 4	



5 Dunning Avenue
George Town
TAS 7253
Australia

CGS419 - Dual Chimes Power Supply Filter

Reproduced with permission from Ken Stone

Size A4	FCSMNo. 7/07/2023	DWG No. cgs419-triggers.schdoc	Rev V2.1
Scale	Laurie Biddulph		Sheet 3 of 4

1

2

3

4

A

A

B

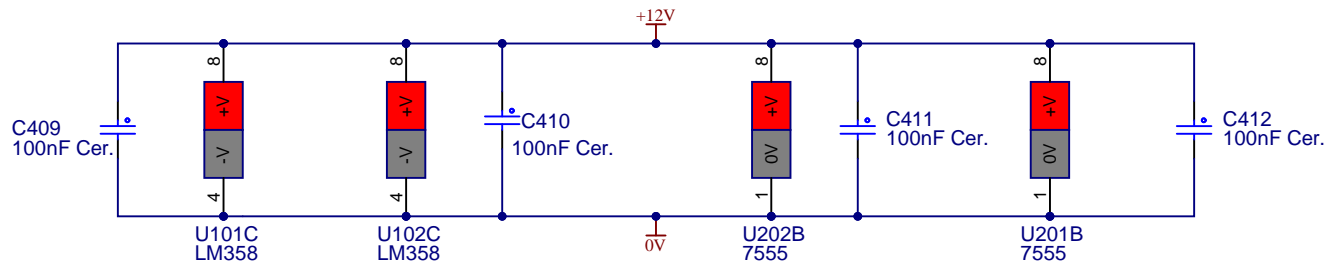
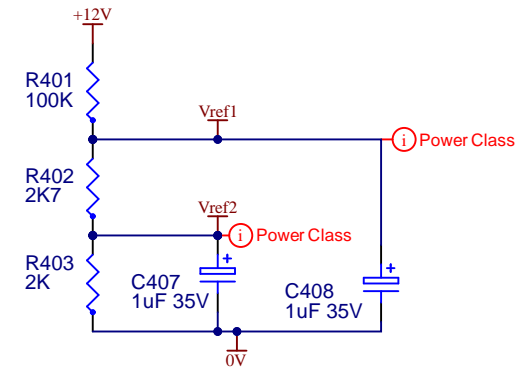
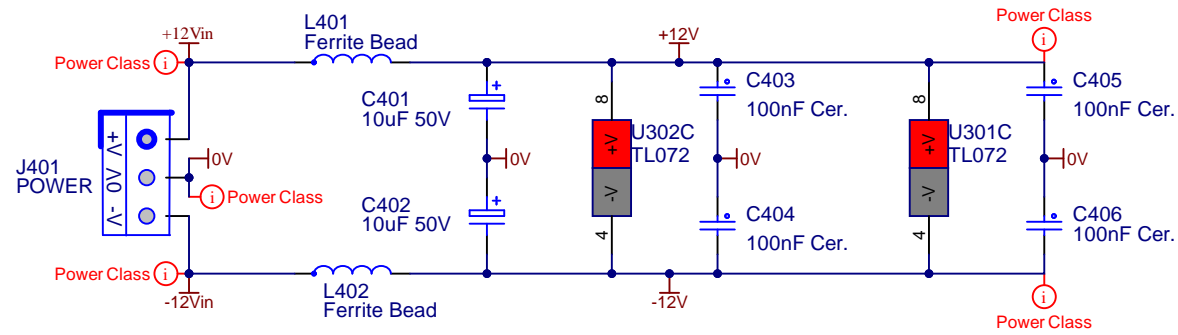
B

C

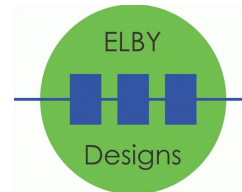
C

D

D



RCM LOGO RoHS



5 Dunning Avenue
George Town
TAS 7253
Australia

CGS419 - Dual Chimes Power Supply Filter

Reproduced with permission from Ken Stone

Size A4	FCSMNo. 7/07/2023	DWG No. cgs419-power.schdoc	Rev V2.1
Scale		Laurie Biddulph	Sheet 4 of 4

1

2

3

4