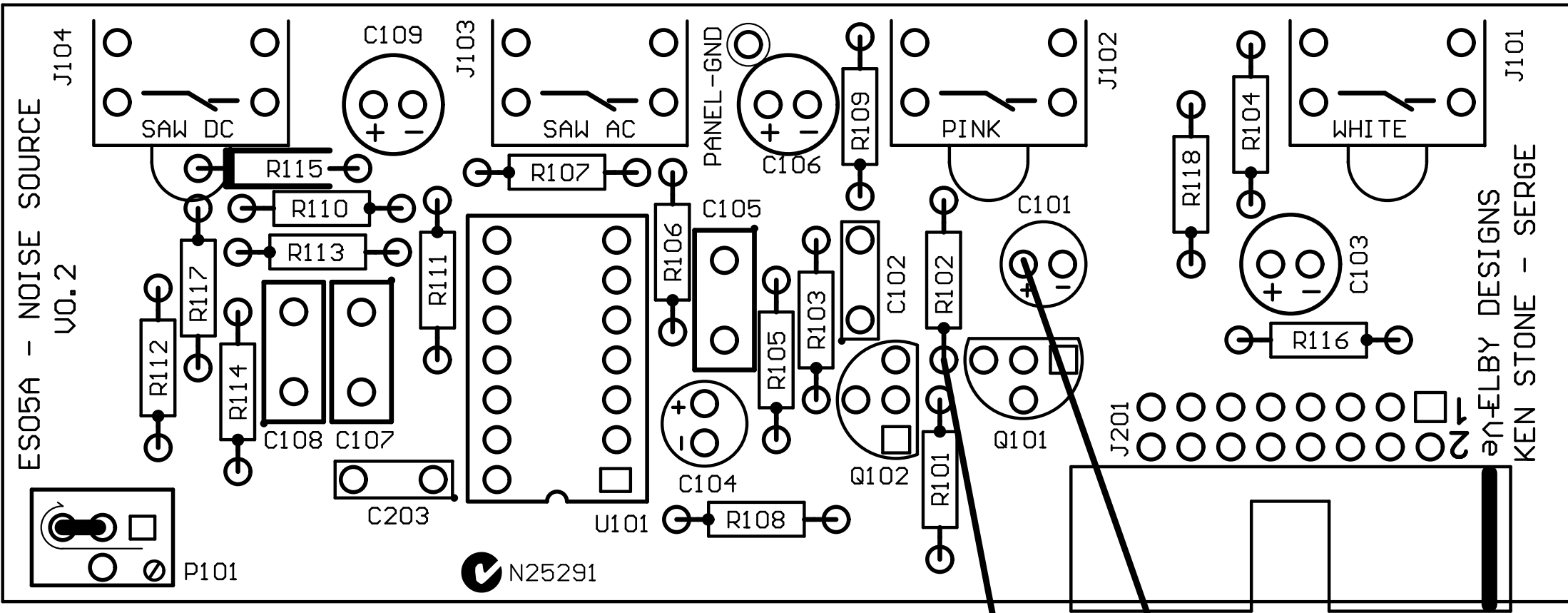


Fit diode at R115 as shown



Fit wire link

Lift C101+ and insert R119