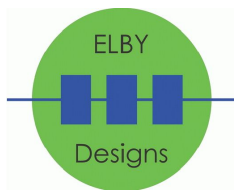


asm301-envelope.schdoc

asm301-phase.schdoc

asm301-power.schdoc



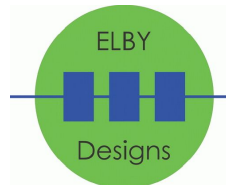
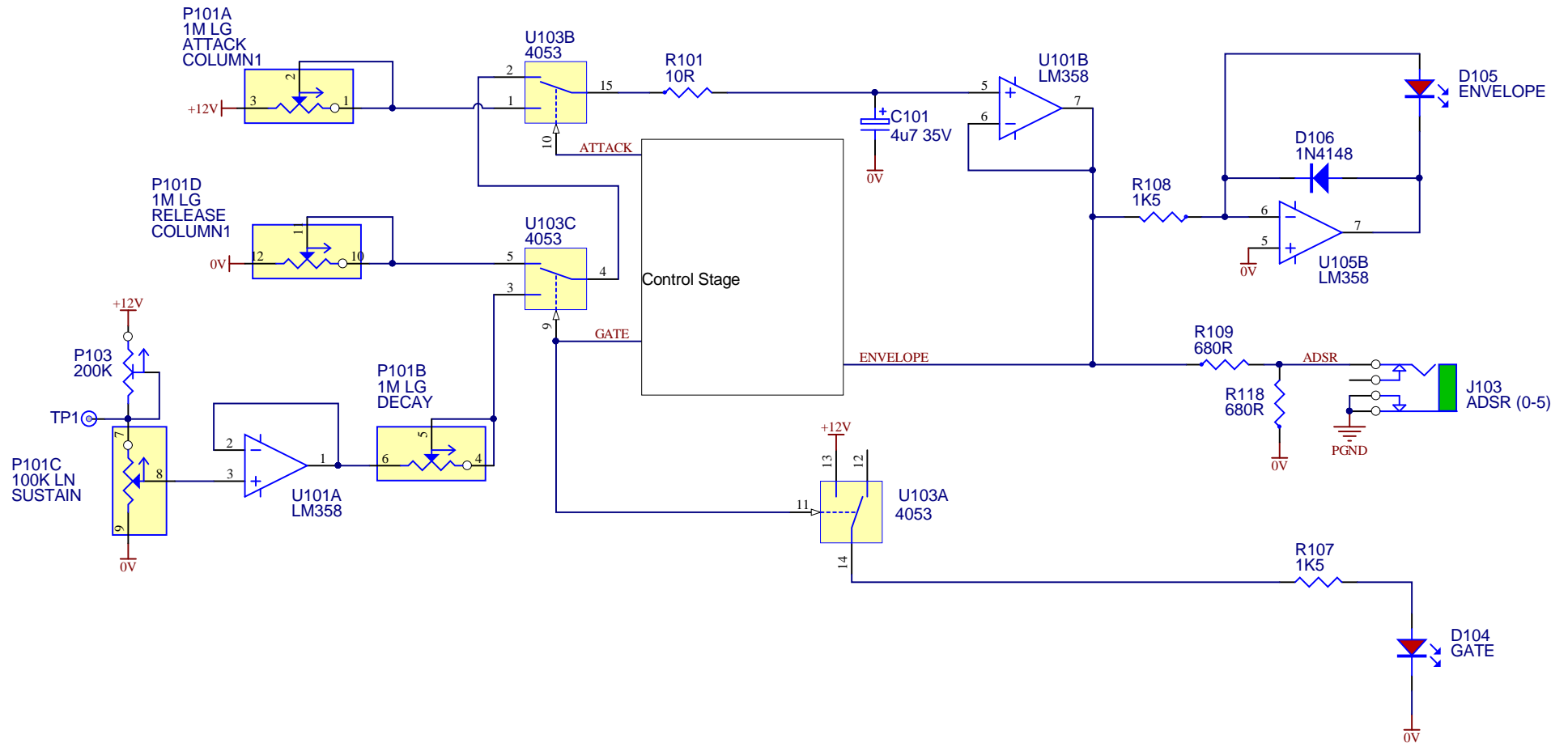
9 Follan Close
Kariong
NSW 2250
Australia

IMPORTANT NOTICE:
Information disclosed by this drawing is the property of ELBY Designs.
Duplication or manufacturing rights granted by written permission only.



ASM301 - ADSR Envelope Controller

Size A4	FCSM No. 30/04/2020	DWG No. asm301-control.schdoc	Rev 0.3
Scale	Laurie Biddulph		Sheet 1 of 4



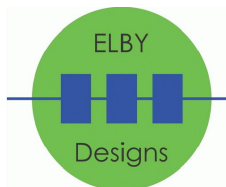
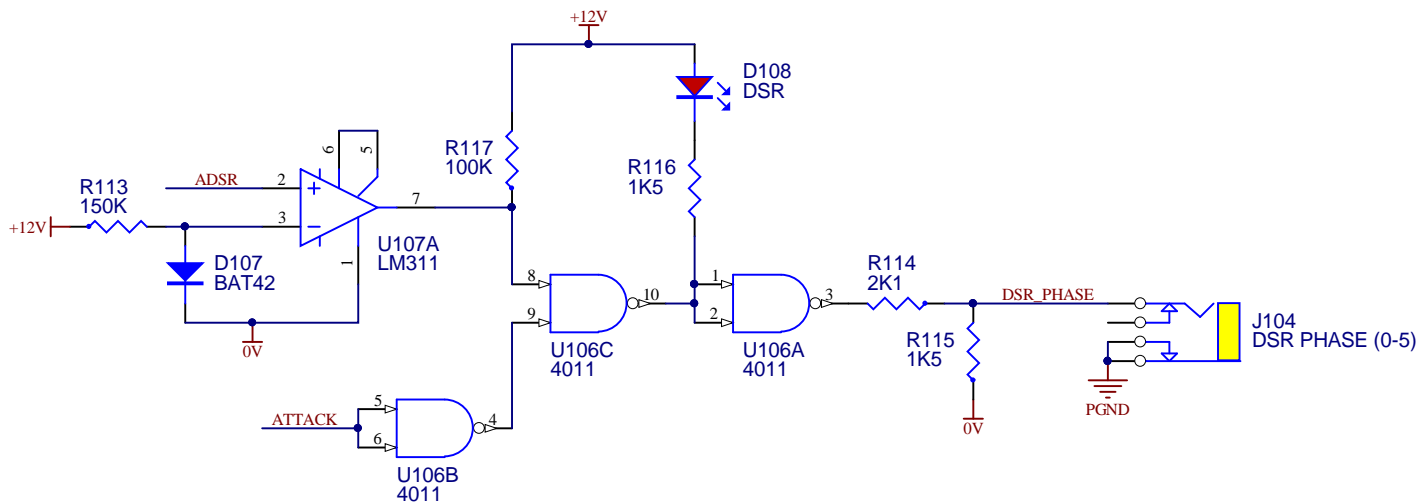
9 Follan Close
Kariong
NSW 2250
Australia

IMPORTANT NOTICE:
Information disclosed by this drawing is the property of ELBY Designs.
Duplication or manufacturing rights granted by written permission only.



ASM301 - ADSR Envelope Generator

Size A4	FCSM No. 30/04/2020	DWG No. asm301-envelope.schdoc	Rev 0.3
Scale	Laurie Biddulph		Sheet 2 of 4



9 Follan Close
Kariong
NSW 2250
Australia

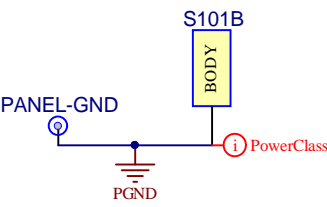
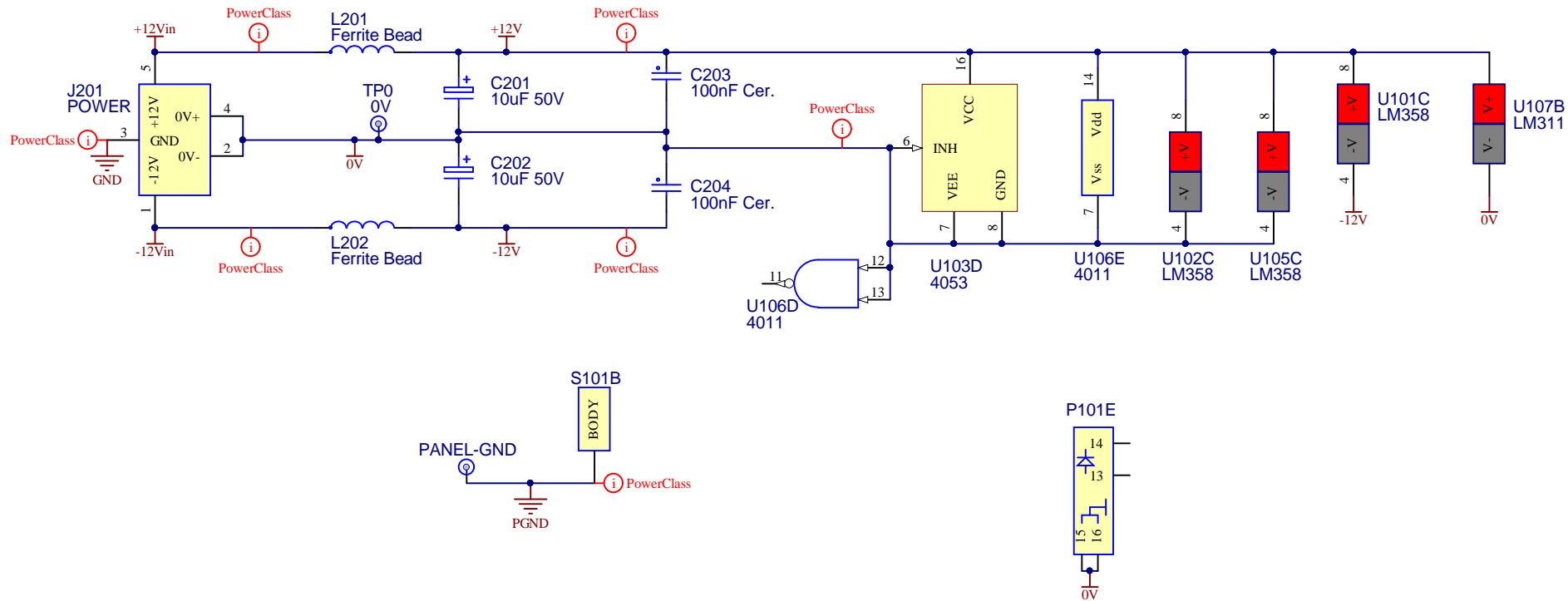
IMPORTANT NOTICE:

Information disclosed by this drawing is the property of ELBY Designs.
Duplication or manufacturing rights granted by written permission only.

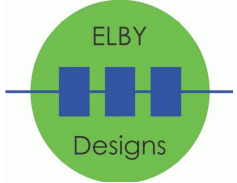


**ASM301 - ADSR
Phase Indicator**

Size A4	FCSM No. 30/04/2020	DWG No. asm301-phase.schdoc	Rev 0.3
Scale	Laurie Biddulph		Sheet 3 of 4



RCM



9 Follan Close
Kariong
NSW 2250
Australia

IMPORTANT NOTICE:
Information disclosed by this drawing is the property of ELBY Designs.
Duplication or manufacturing rights granted by written permission only.



ASM301 - ADSR Power Supply

Size A4	FCSM No. 30/04/2020	DWG No. asm301-power.schdoc	Rev 0.3
Scale	Laurie Biddulph		Sheet 4 of 4