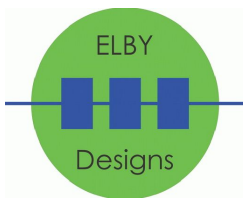


cgs733a-power.schdoc



9 Follan Close
Kariang
NSW 2250
Australia

IMPORTANT NOTICE:
Information disclosed by this drawing is the property of ELBY Designs.
Duplication or manufacturing rights granted by written permission only.

ASM308 - CV Mixer Input Mixer

Reproduced with permission from Ken Stone

Size A4	FCSM No. 30/04/2020	DWG No. cgs733a.schdoc	Rev 0.2
Scale	Laurie Biddulph		Sheet 1 of 3

1

2

3

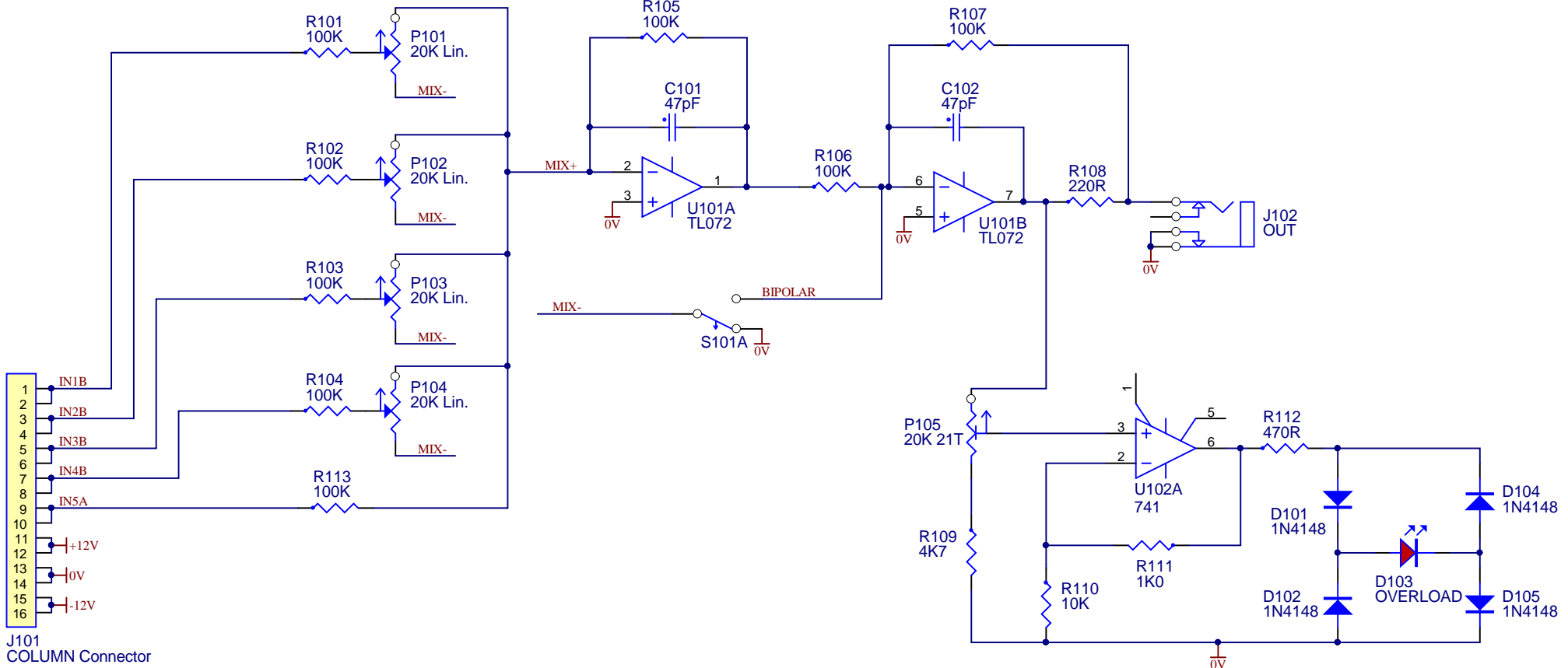
4

1

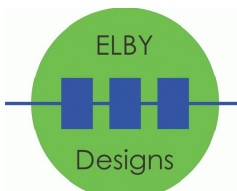
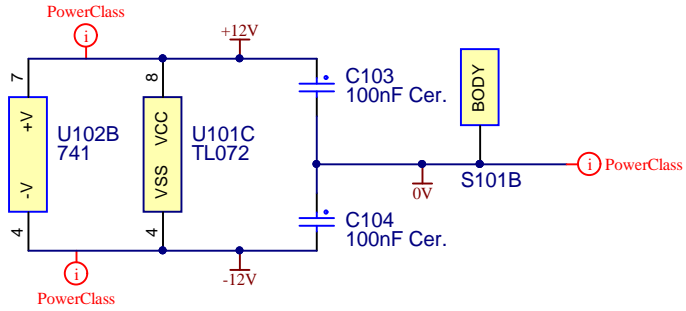
2

3

4



J101
COLUMN Connector



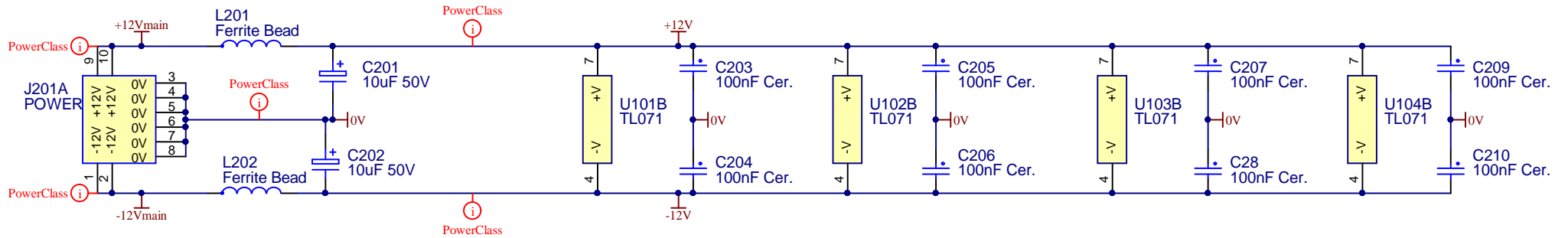
9 Follan Close
Karingong
NSW 2250
Australia

IMPORTANT NOTICE:
Information disclosed by this drawing is the property of ELBY Designs.
Duplication or manufacturing rights granted by written permission only.

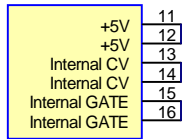
ASM308 - CV Mixer Column Mixer

Reproduced with permission from Ken Stone

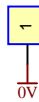
Size A4	FCSM No. 30/04/2020	DWG No. cgs733b.schdoc	Rev 1.2
Scale	Laurie Biddulph		Sheet 2 of 3



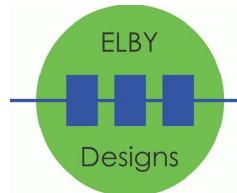
J201B
POWER



PANEL-GND



N-Tick



9 Follan Close
Kariong
NSW 2250
Australia

IMPORTANT NOTICE:

Information disclosed by this drawing is the property of ELBY Designs.
Duplication or manufacturing rights granted by written permission only.

**ASM308 - CV Mixer
Power Supply**

Reproduced with permission from Ken Stone

Size A4	FCSM No. 30/04/2020	DWG No. cgs733a-power.schdoc	Rev 0.2
Scale	Laurie Biddulph		Sheet 3 of 3