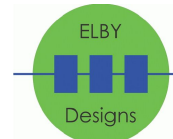


cgs757-clock.schdoc

cgs757-power.schdoc



9 Follan Close
Kariang
NSW 2250
Australia

IMPORTANT NOTICE:
Information disclosed by this drawing is the property of ELBY Designs.
Duplication or manufacturing rights granted by written permission only.

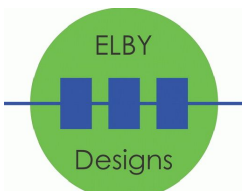
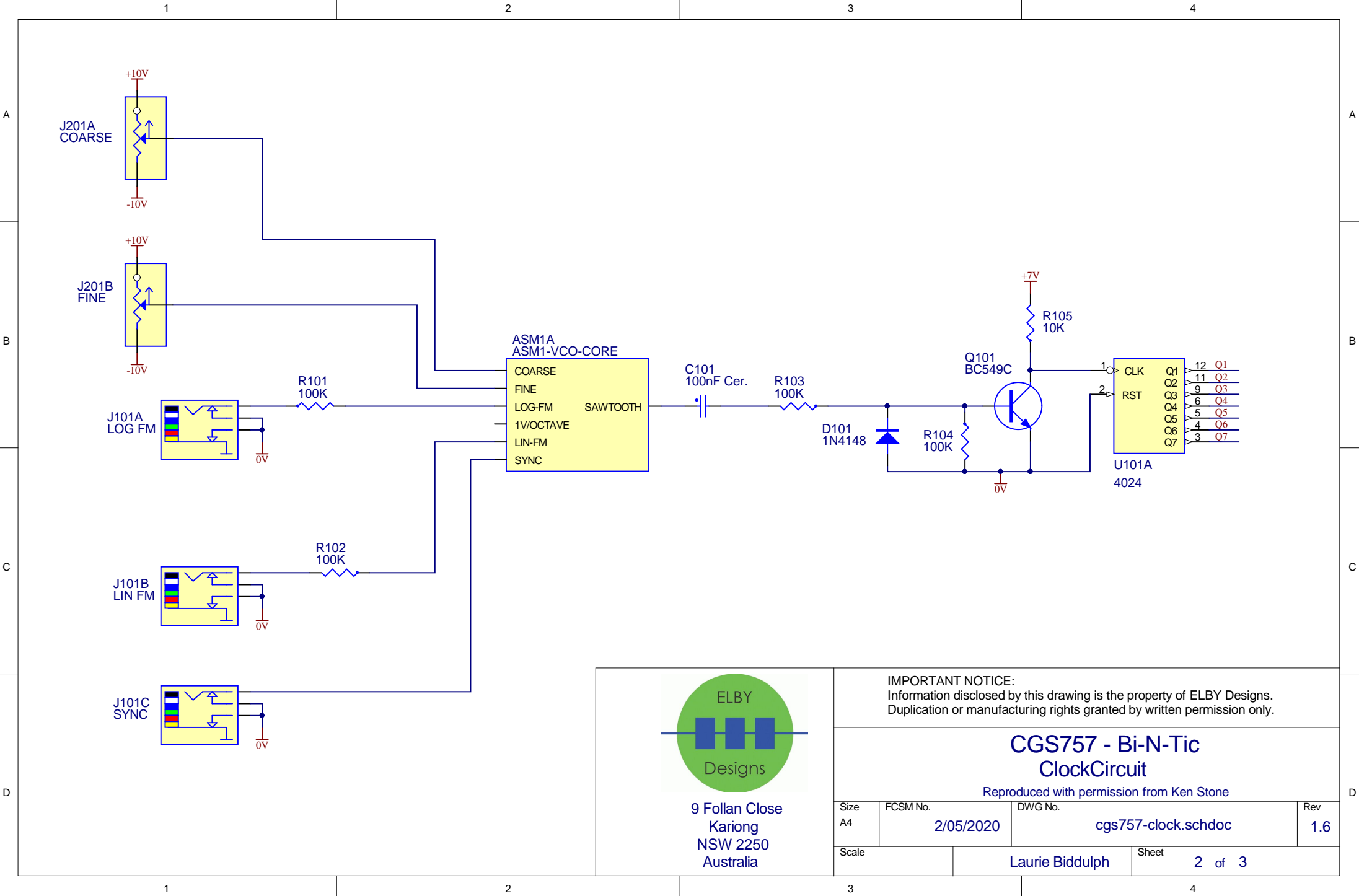
CGS757 - Bi-N-Tic Filter Circuit

Reproduced with permission from Ken Stone

Size A3	FCSM No. 2/05/2020	DWG No. cgs757-filter.schdoc	Rev 1.6
Scale	Sheet 1 of 3		Sheet 1 of 3

Laurie Biddulph

1 of 3



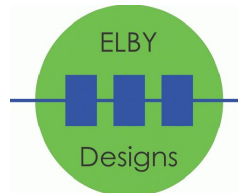
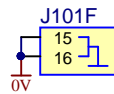
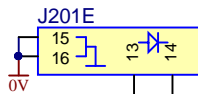
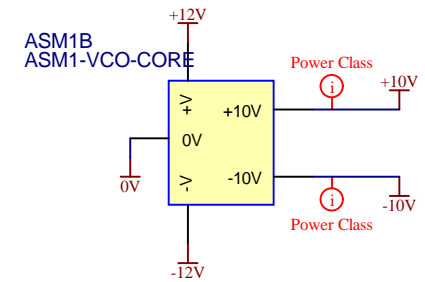
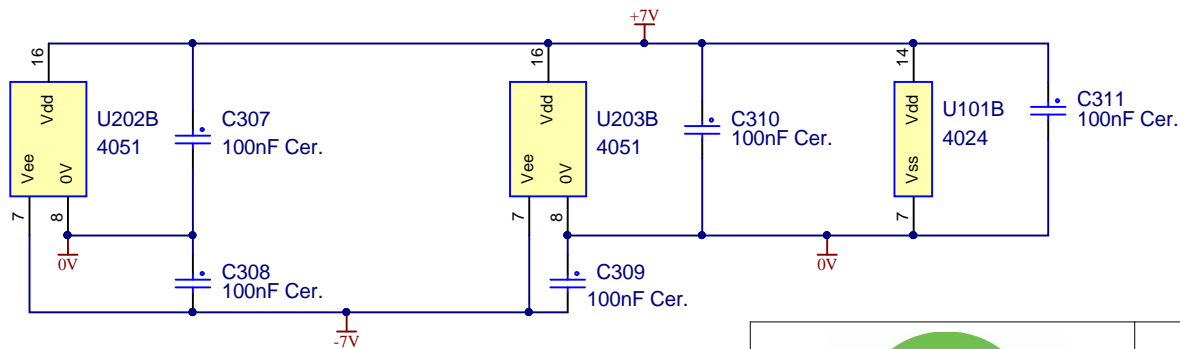
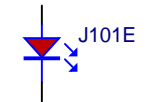
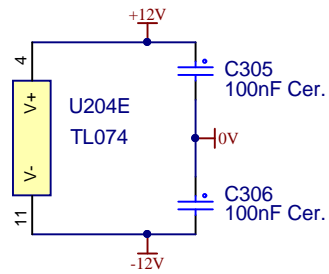
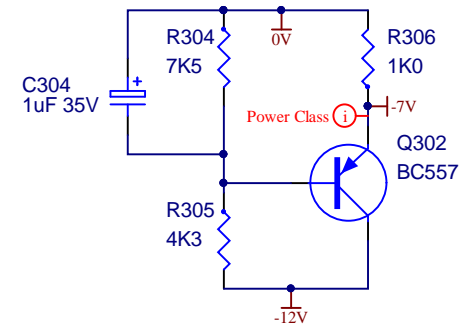
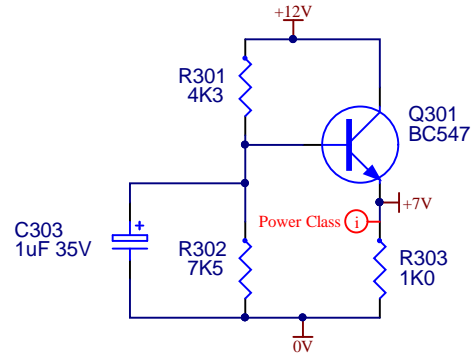
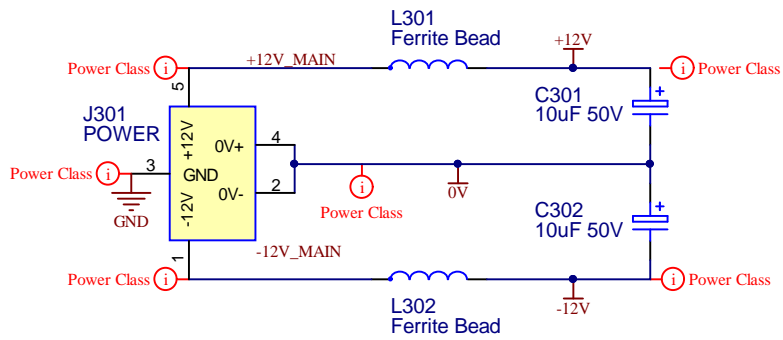
9 Follan Close
Karing
NSW 2250
Australia

IMPORTANT NOTICE:
Information disclosed by this drawing is the property of ELBY Designs.
Duplication or manufacturing rights granted by written permission only.

CGS757 - Bi-N-Tic ClockCircuit

Reproduced with permission from Ken Stone

Size A4	FCSM No. 2/05/2020	DWG No. cgs757-clock.schdoc	Rev 1.6
Scale	Laurie Biddulph		Sheet 2 of 3



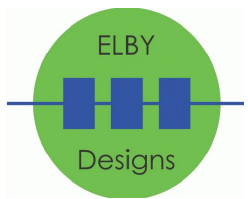
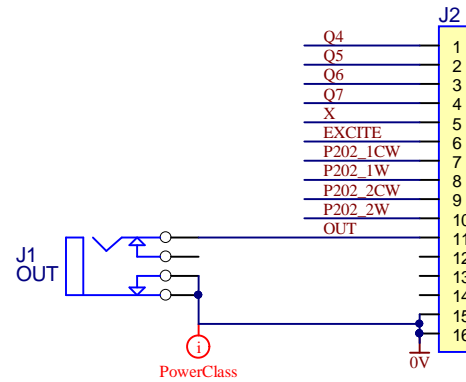
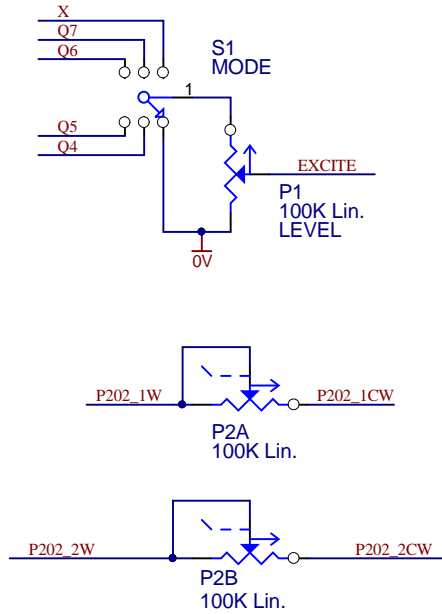
9 Follan Close
Kariang
NSW 2250
Australia

IMPORTANT NOTICE:
Information disclosed by this drawing is the property of ELBY Designs.
Duplication or manufacturing rights granted by written permission only.

CGS757 - Bi-N-Tic Power Supply

Reproduced with permission from Ken Stone

Size A4	FCSM No. 2/05/2020	DWG No. cgs757-power.schdoc	Rev 1.6
Scale	Laurie Biddulph		Sheet 3 of 3



9 Follan Close
Kariong
NSW 2250
Australia

IMPORTANT NOTICE:

Information disclosed by this drawing is the property of ELBY Designs. Duplication or manufacturing rights granted by written permission only.

**CGS757 - Bi-N-Tic
Column 3**

Reproduced with permission from Ken Stone

Size A4	FCSM No. 2/05/2020	DWG No. cgs757-column3.schdoc	Rev 1.6
Scale	Laurie Biddulph	Sheet 1 of 1	