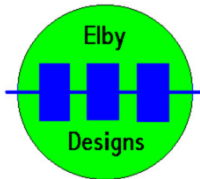
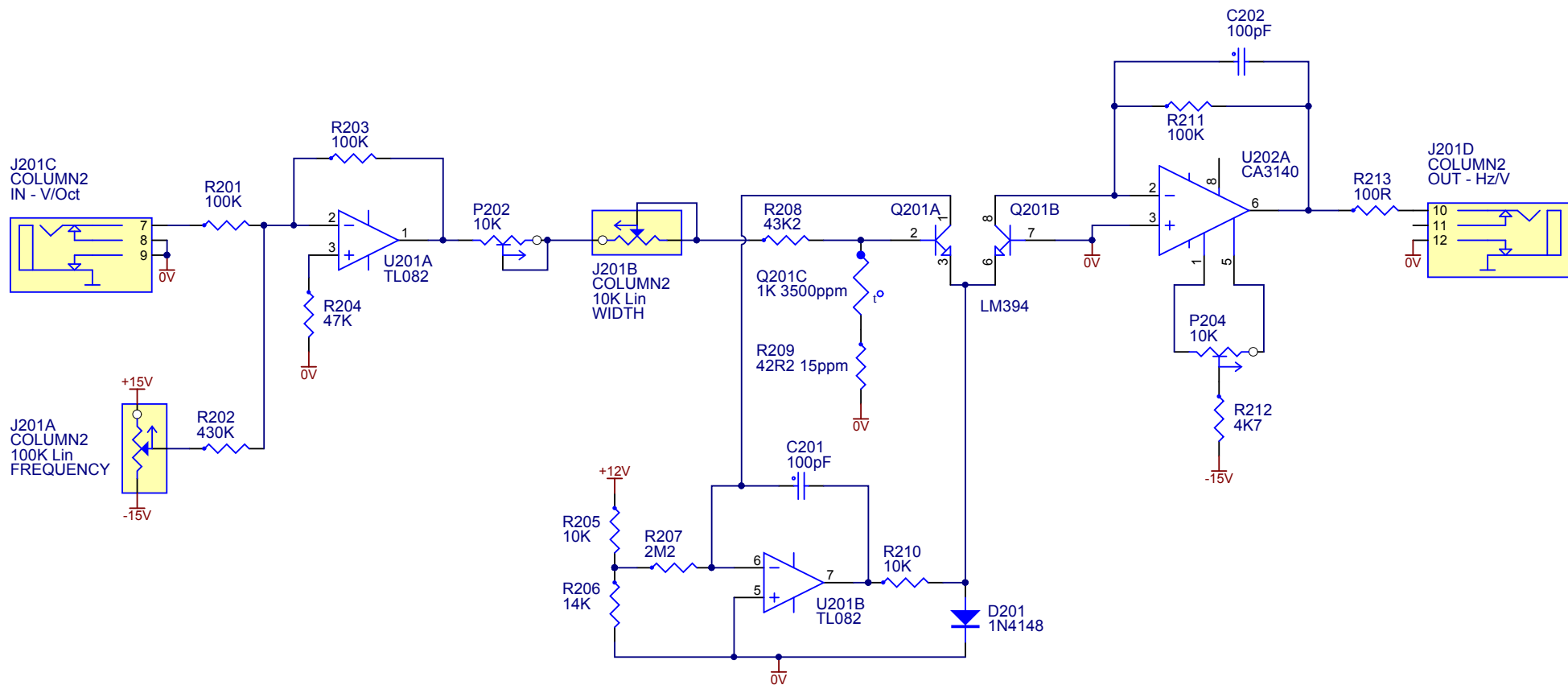


9 Follan Close
Kariong
NSW 2250
Australia

ED102 - Hertz-Volt-Octave Converter

Hz/V to V/Oct Converter (Log Amplifier)

Size A4	FCSM No. 6/12/2012	DWG No. ed102-main-1.schdoc	Rev 1
Scale	Laurie Biddulph		Sheet 1 of 5

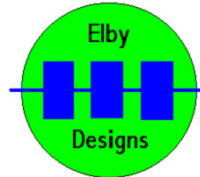
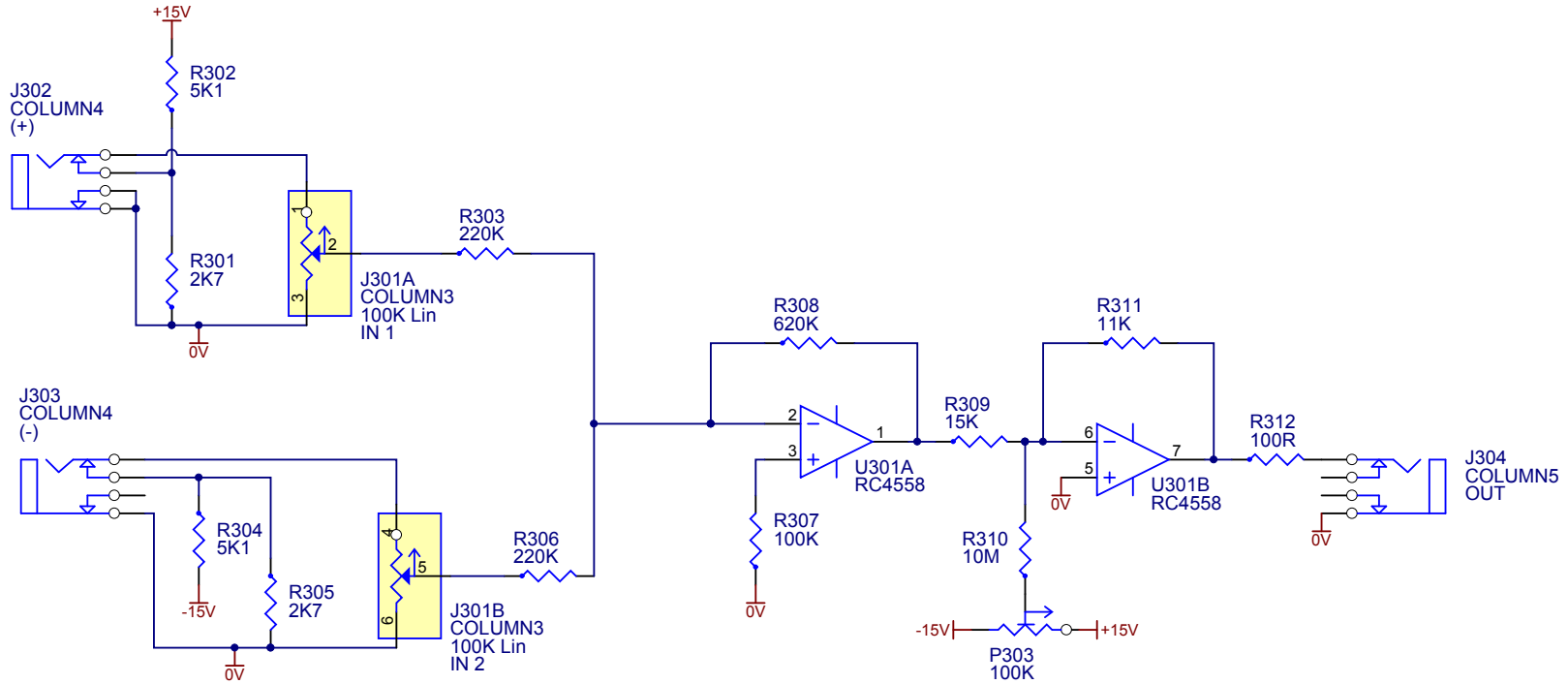


9 Follan Close
Kariong
NSW 2250
Australia

ED102 - Hertz-Volt-Octave Converter

V/Oct to Hz/V Converter (AntiLog Amplifier)

Size A4	FCSM No. 6/12/2012	DWG No. ed102-main-2.schdoc	Rev 1
Scale	Laurie Biddulph		Sheet 2 of 5

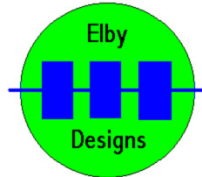
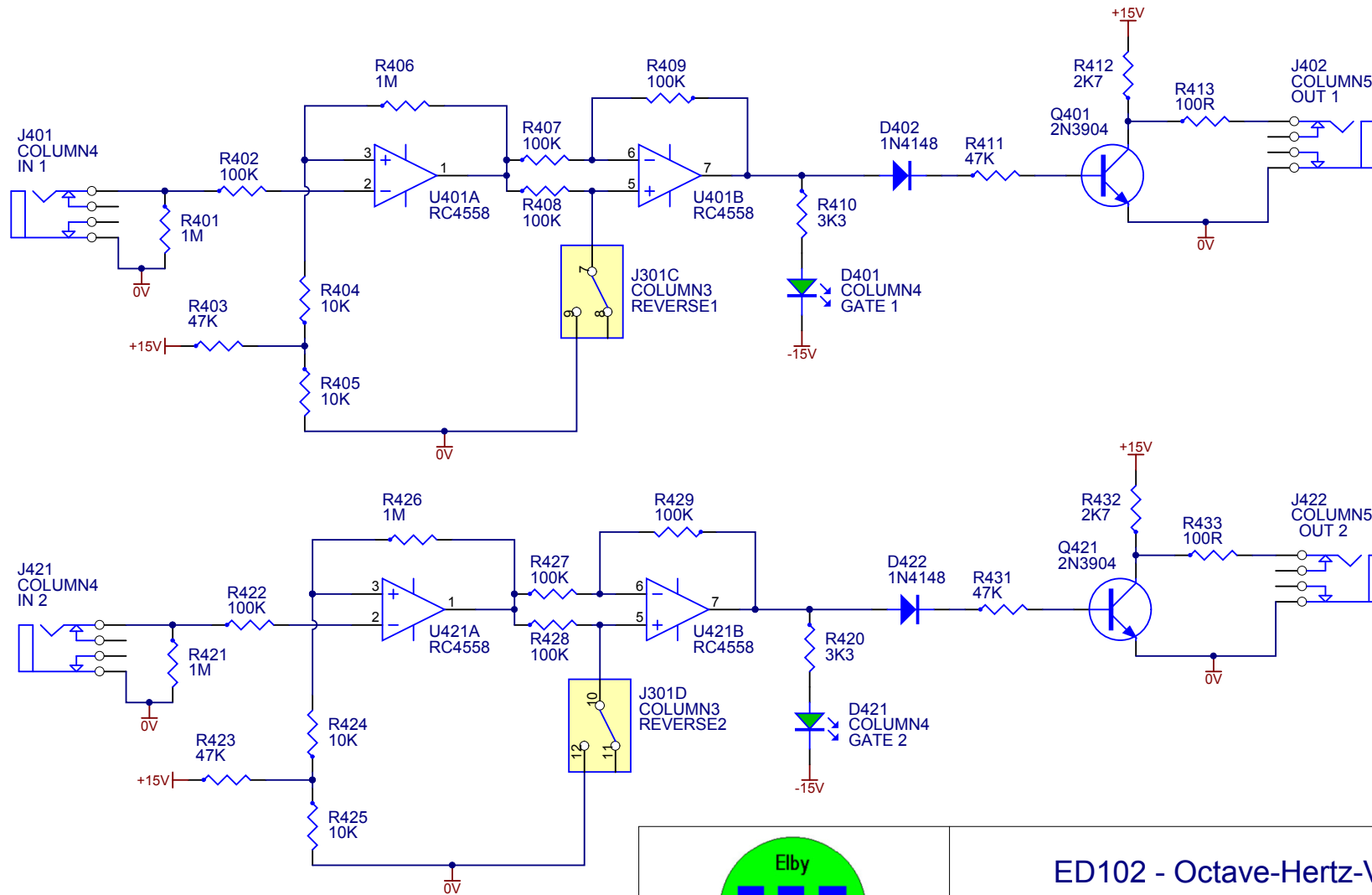


9 Follan Close
Kariong
NSW 2250
Australia

ED102 - Hertz-Volt-Octave Converter

Adding Amplifier

Size A4	FCSM No. 6/12/2012	DWG No. ed102-main-3.schdoc	Rev 1
Scale	Laurie Biddulph		Sheet 3 of 5

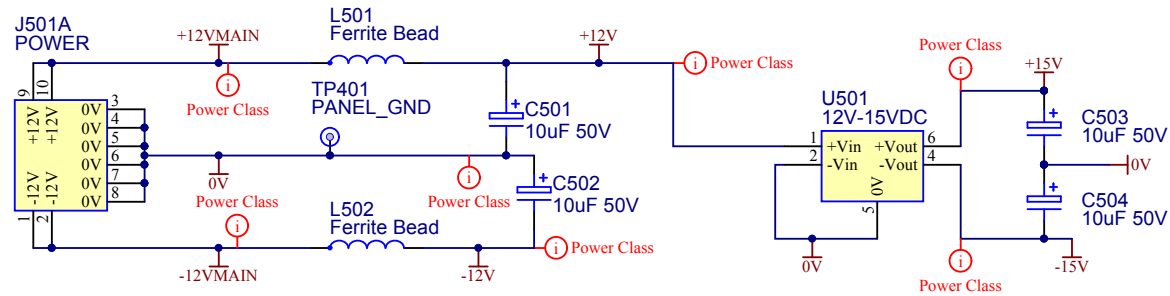


9 Follan Close
Kariang
NSW 2250
Australia

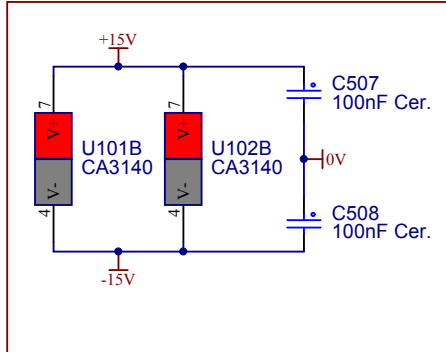
ED102 - Octave-Hertz-Volt Converter

Trigger Processor

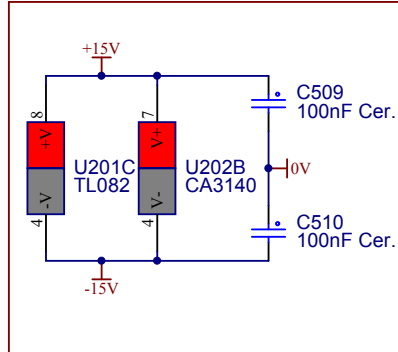
Size A4	FCSM No. 6/12/2012	DWG No. ed102-gate.schdoc	Rev 1
Scale	Laurie Biddulph		Sheet 4 of 5



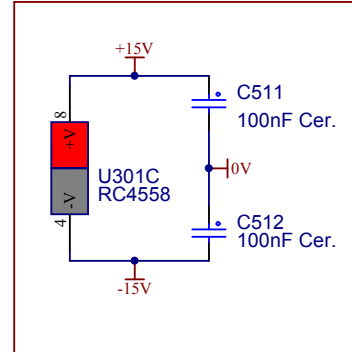
ed102-main-1.schdoc



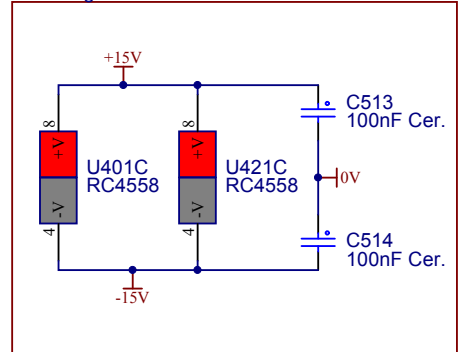
ed102-main-2.schdoc



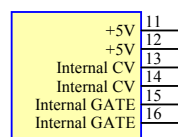
ed102-main-3.schdoc



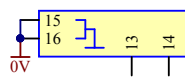
ed102-gate.schdoc



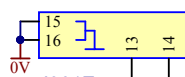
J501B POWER



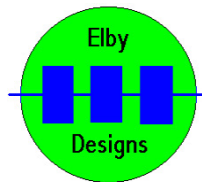
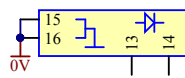
J101E COLUMN1



J201E COLUMN2



J301E COLUMN3

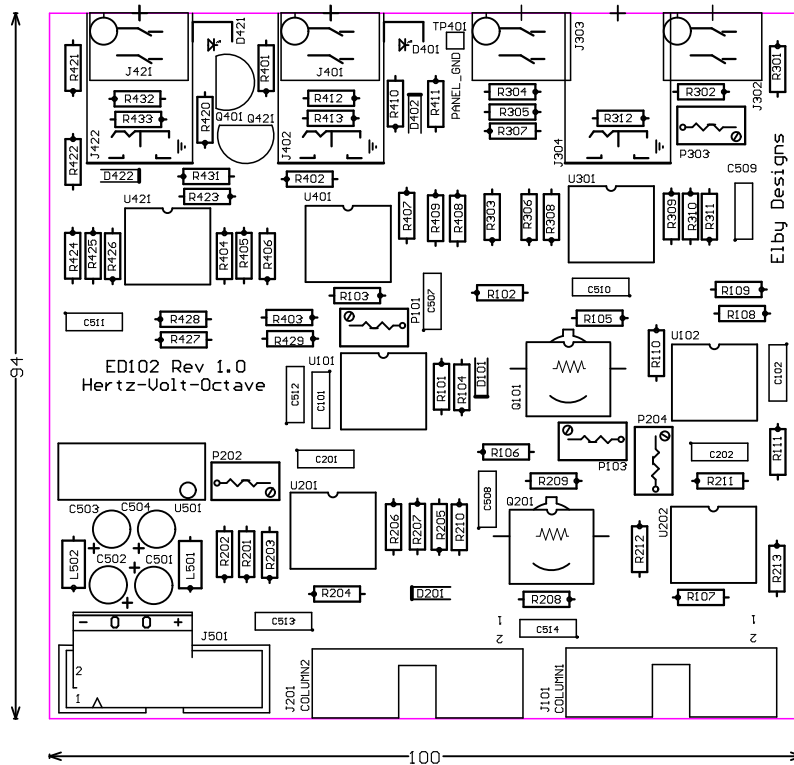


9 Follan Close
Karing
NSW 2250
Australia

ED102 - Hertz-Volt-Octave Converter

Power Supply Section

Size A4	FCSM No. 6/12/2012	DWG No. ed102-power.schdoc	Rev 1
Scale	Laurie Biddulph		Sheet 5 of 5



Lead-free HASL - RoHS compliant
 Matt White silk-screen to 2 sides
 Silk-screen quality important
 FR4, 1.6mm thick
 Matt Blue solder-mask to 2 sides
 Finished external copper weight 1oz
 All vias to be tented (both sides)
 PCB to be supplied loose (not panellised)

Elby Designs

Kariong, NSW 2250
 Australia

www.elby-designs.com

ED102
Hertz-Volt-Octave Converter
PCB Details

All dimensions in millimeters
 unless stated otherwise.

(A4) Do not scale

Rev: 1.0

Date: 29/02/12