

1

2

3

4

A

A

B

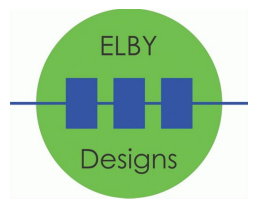
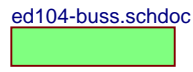
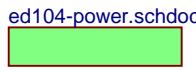
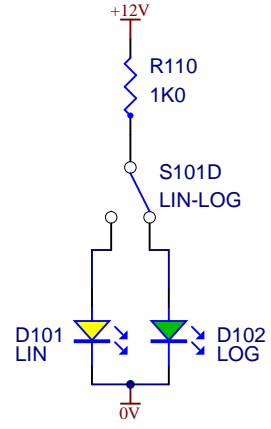
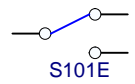
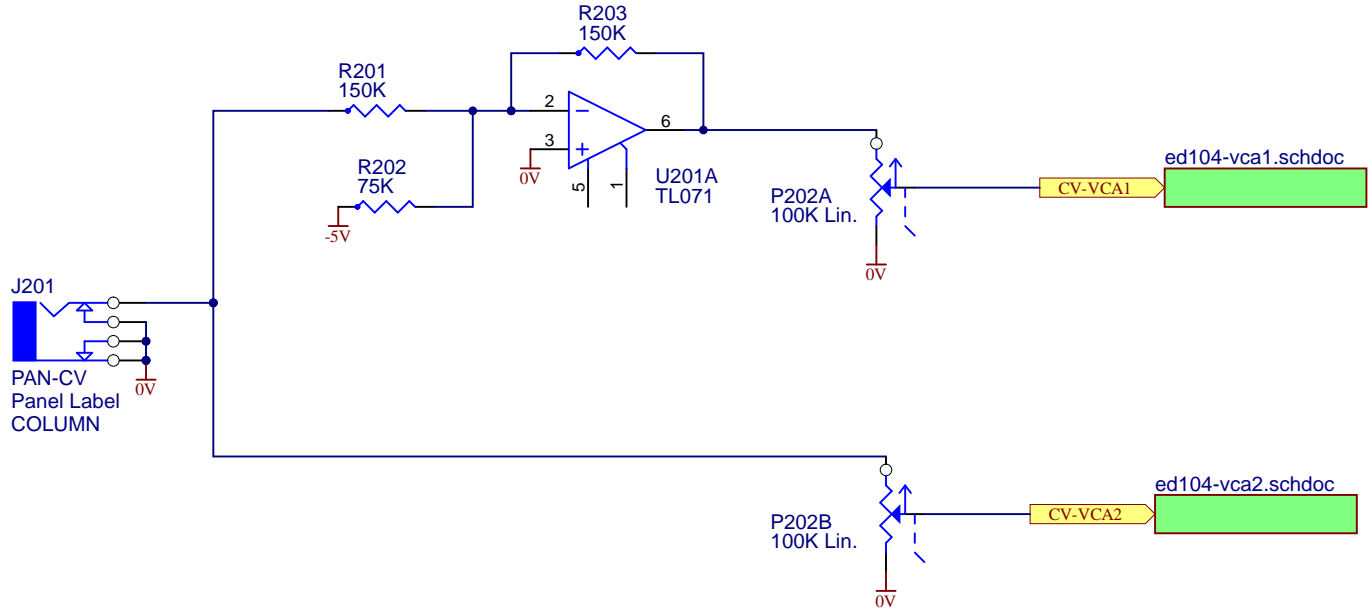
B

C

C

D

D



5 Dunning Avenue  
George Town  
TAS 7253  
Australia

# ED104 - Dual VCA

## Panner Control

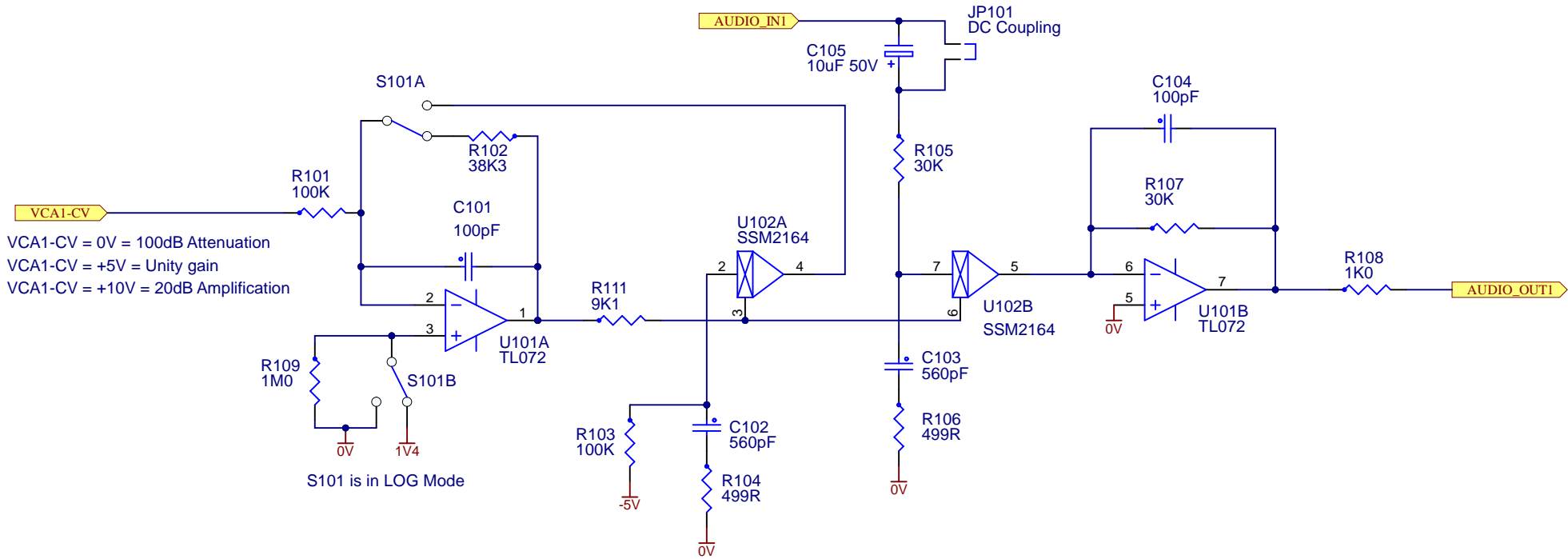
Size A4	FCSMNo. 18/12/2023	DWG No. ed104-main.schdoc	Rev 1.5
Scale		Laurie Biddulph	Sheet 1 of 5

1

2

3

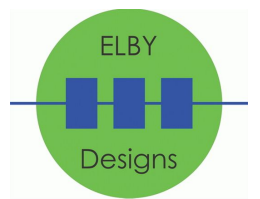
4



**VCA1-CV**

VCA1-CV = 0V = 100dB Attenuation  
 VCA1-CV = +5V = Unity gain  
 VCA1-CV = +10V = 20dB Amplification

S101 is in LOG Mode



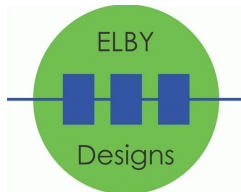
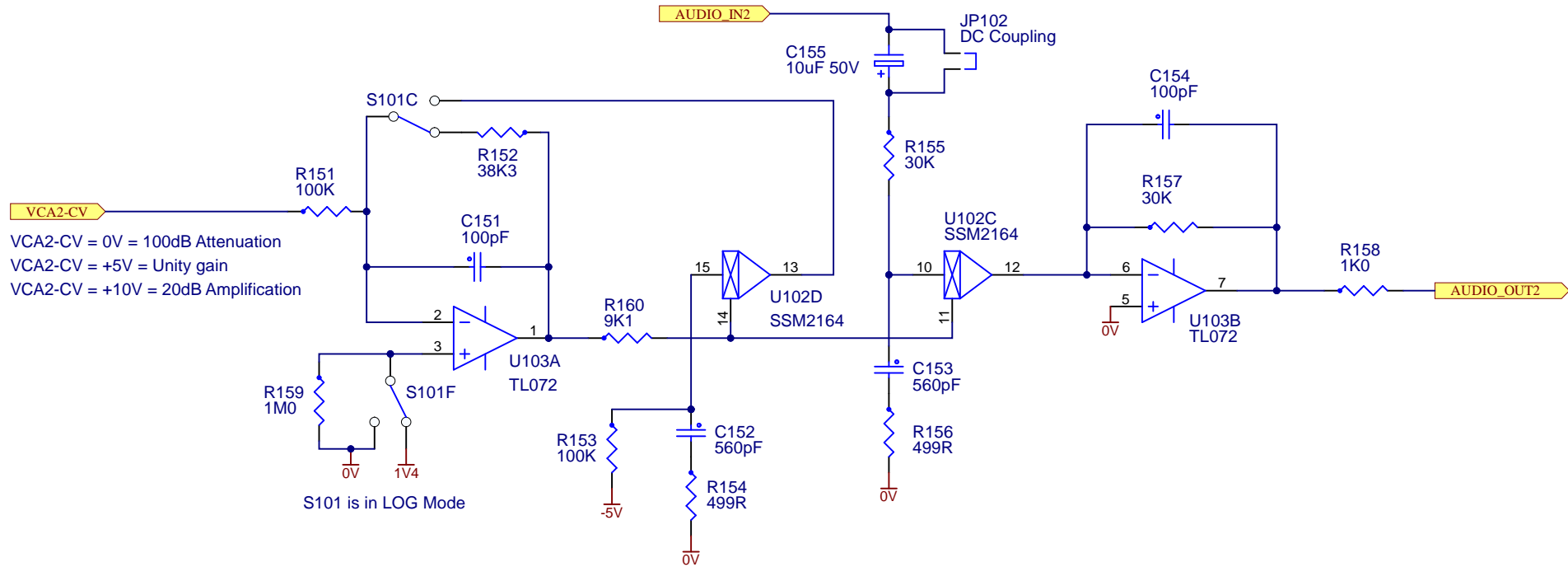
5 Dunning Avenue  
 George Town  
 TAS 7253  
 Australia

## ED104 - Dual VCA

Reproduced with permission from Mike Irwin

### VCA 1

Size A4	FCSMNo. 18/12/2023	DWG No. ed104-vca1.schdoc	Rev 1.5
Scale	Laurie Biddulph		Sheet 2 of 5



5 Dunning Avenue  
 George Town  
 TAS 7253  
 Australia

## ED104 - Dual VCA

Reproduced with permission from Mike Irwin

### VCA 2

Size A4	FCSMNo. 18/12/2023	DWG No. ed104-vca2.schdoc	Rev 1.5
Scale	Laurie Biddulph		Sheet 3 of 5

1

2

3

4

A

A

B

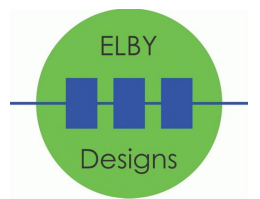
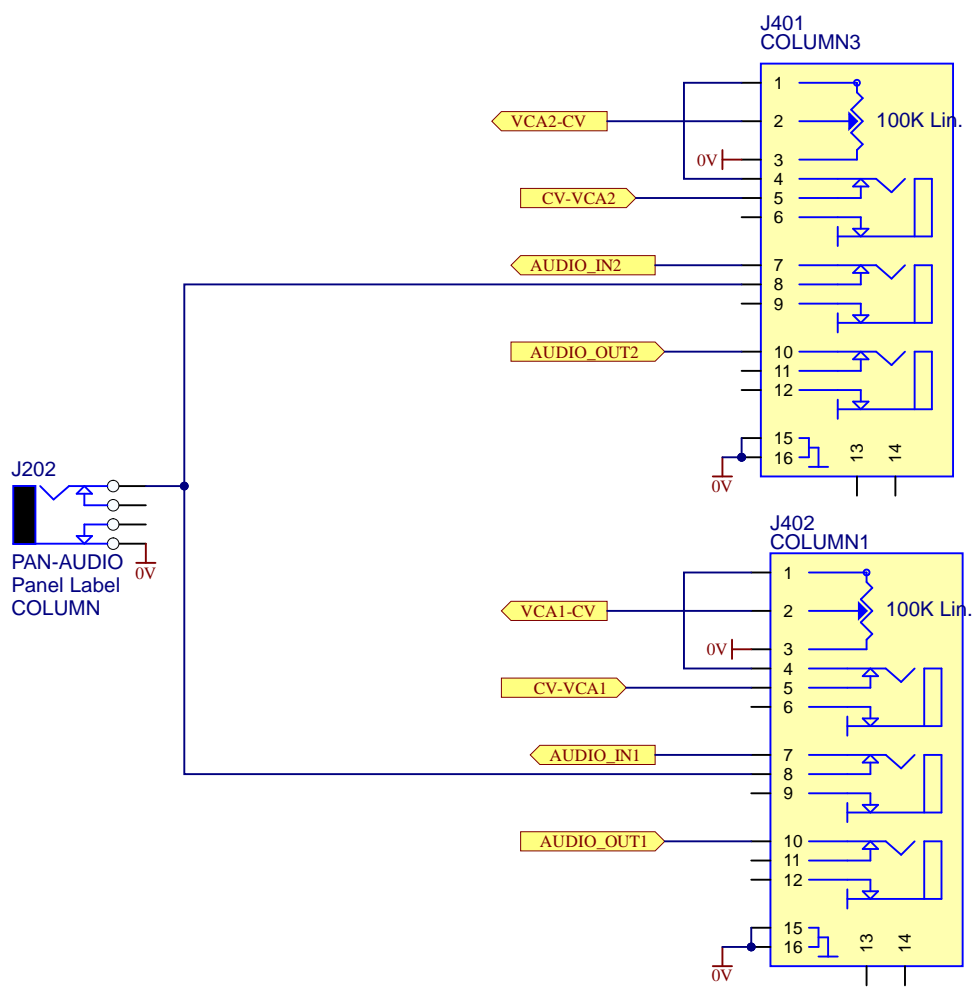
B

C

C

D

D



5 Dunning Avenue  
 George Town  
 TAS 7253  
 Australia

## ED104 - Dual VCA

Reproduced with permission from Mike Irwin

### Buss Connectors

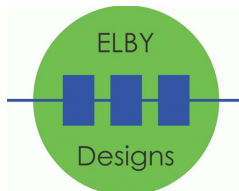
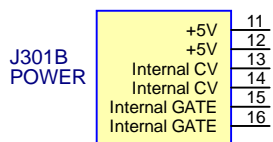
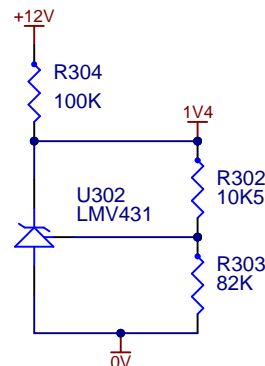
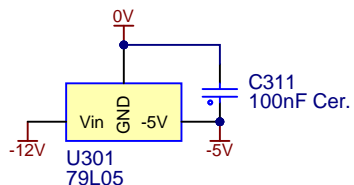
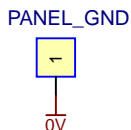
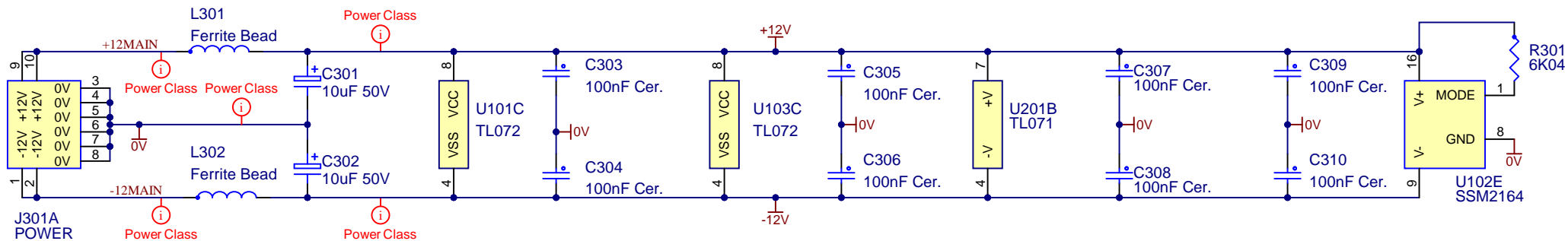
Size A4	FCSMNo. 18/12/2023	DWG No. ed104-buss.schdoc	Rev 1.5
Scale		Laurie Biddulph	Sheet 4 of 5

1

2

3

4



5 Dunning Avenue  
George Town  
TAS 7253  
Australia

## ED104 - Dual VCA

Reproduced with permission from Mike Irwin

### Power Supply

Size A4	FCSMNo. 18/12/2023	DWG No. ed104-power.schdoc	Rev 1.5
Scale	Laurie Biddulph	Sheet 5 of 5	