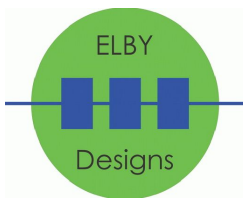
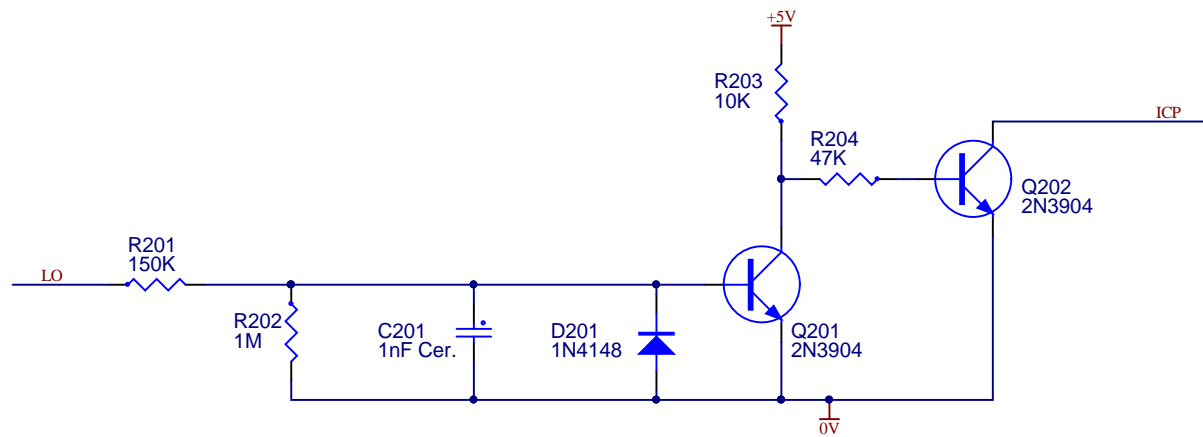


9 Follan Close
Karingong
NSW 2250
Australia

IMPORTANT NOTICE:
Information disclosed by this drawing is the property of ELBY Designs.
Duplication or manufacturing rights granted by written permission only.

ED701 - miniScope Front-end

Size A4	FCSM No. 31/07/2020	DWG No. frontend.schdoc	Rev 0.8
Scale		Laurie Biddulph	Sheet 1 of 4

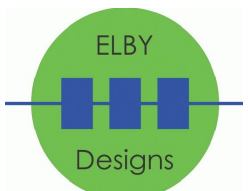
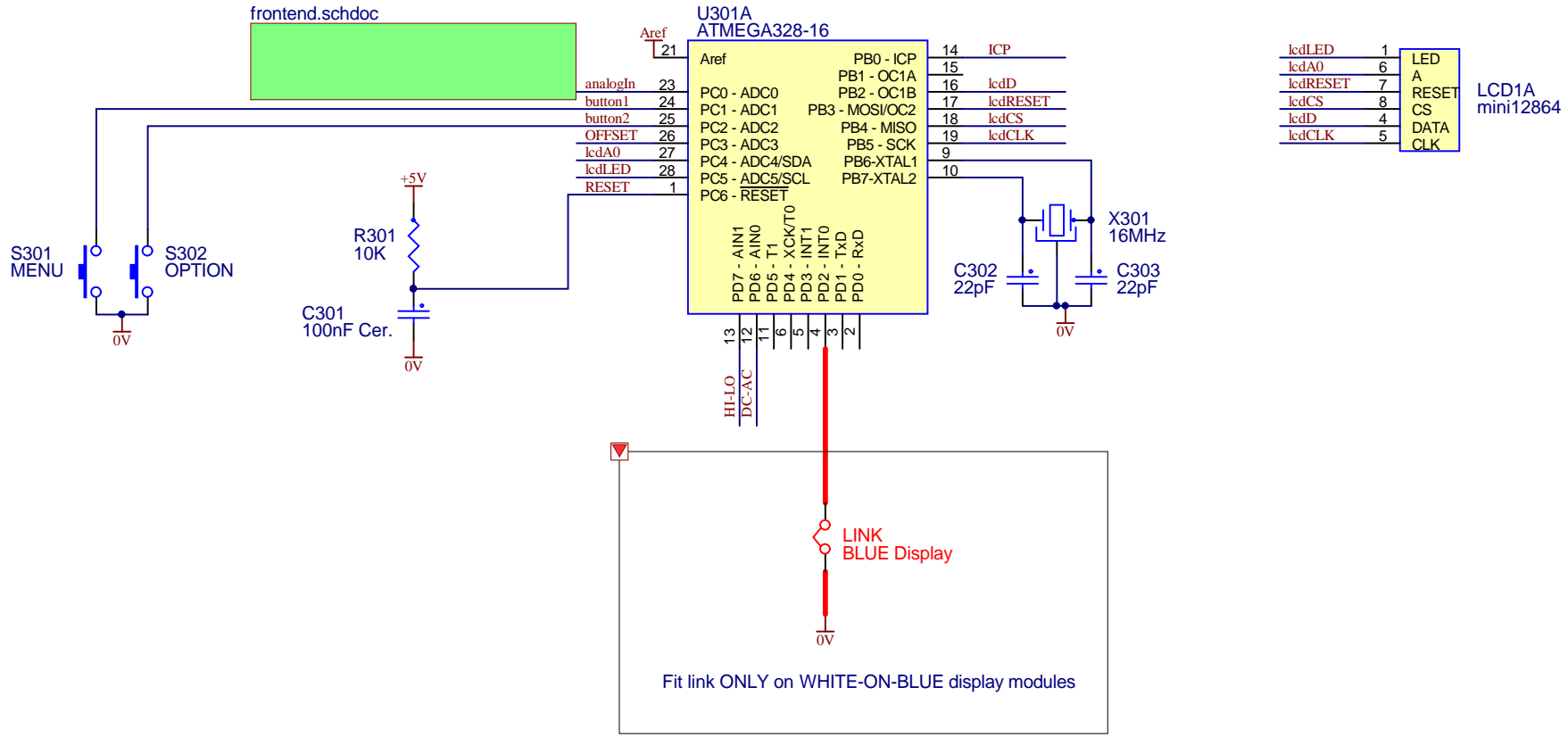


9 Follan Close
Kariang
NSW 2250
Australia

IMPORTANT NOTICE:
Information disclosed by this drawing is the property of ELBY Designs.
Duplication or manufacturing rights granted by written permission only.

ED701 - miniScope Front-end Comparator

Size A4	FCSM No. 31/07/2020	DWG No. frontend-comparator.schdoc	Rev 0.8
Scale		Laurie Biddulph	Sheet 2 of 4

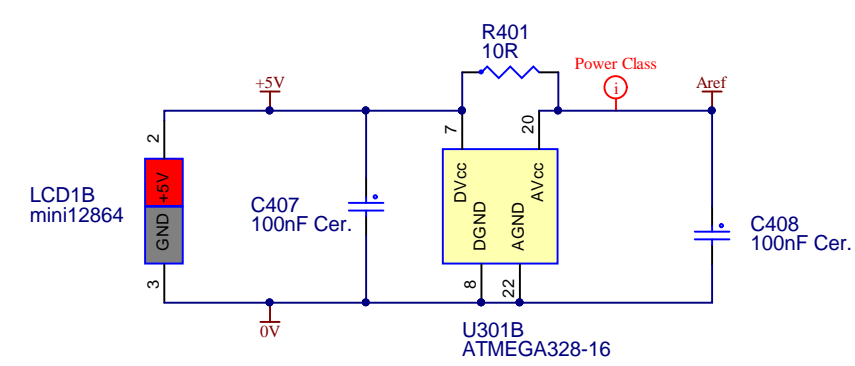
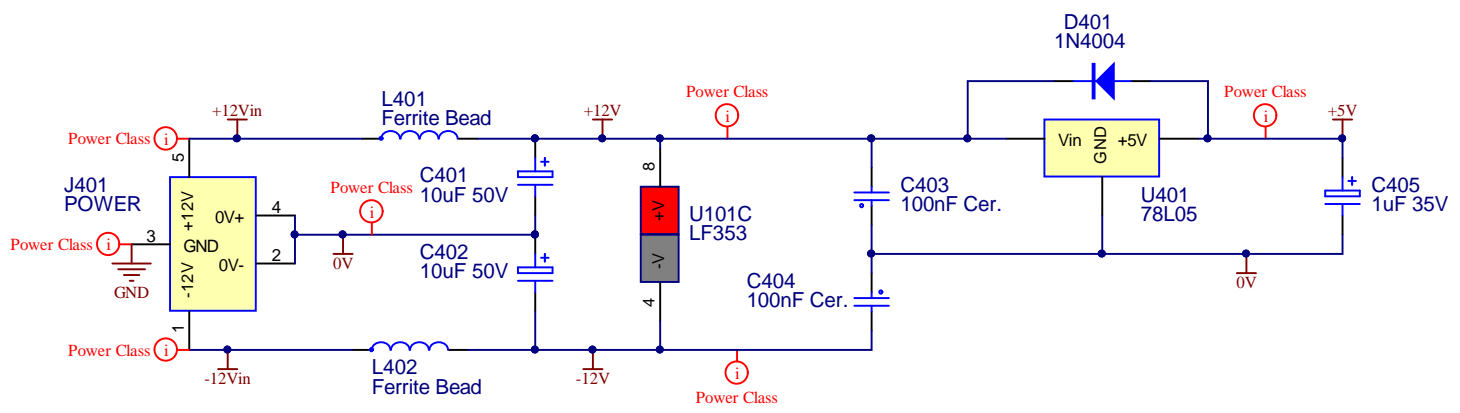


9 Follan Close
Karingong
NSW 2250
Australia

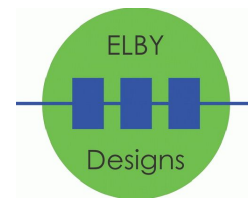
IMPORTANT NOTICE:
Information disclosed by this drawing is the property of ELBY Designs.
Duplication or manufacturing rights granted by written permission only.

ED701 - miniScope Controller

Size A4	FCSM No. 31/07/2020	DWG No. controller.schdoc	Rev 0.8
Scale		Laurie Biddulph	Sheet 3 of 4



HW1
RCM



9 Follan Close
Kariong
NSW 2250
Australia

IMPORTANT NOTICE:
Information disclosed by this drawing is the property of ELBY Designs.
Duplication or manufacturing rights granted by written permission only.

ED701 - miniScope Power Supply

Size A4	FCSM No. 31/07/2020	DWG No. power.schdoc	Rev 0.8
Scale	Laurie Biddulph		Sheet 4 of 4