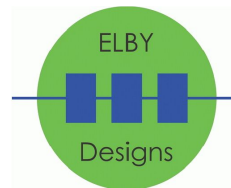


ed722-power.schdoc



3 Therese Street
Bridport
TAS 7262
Australia

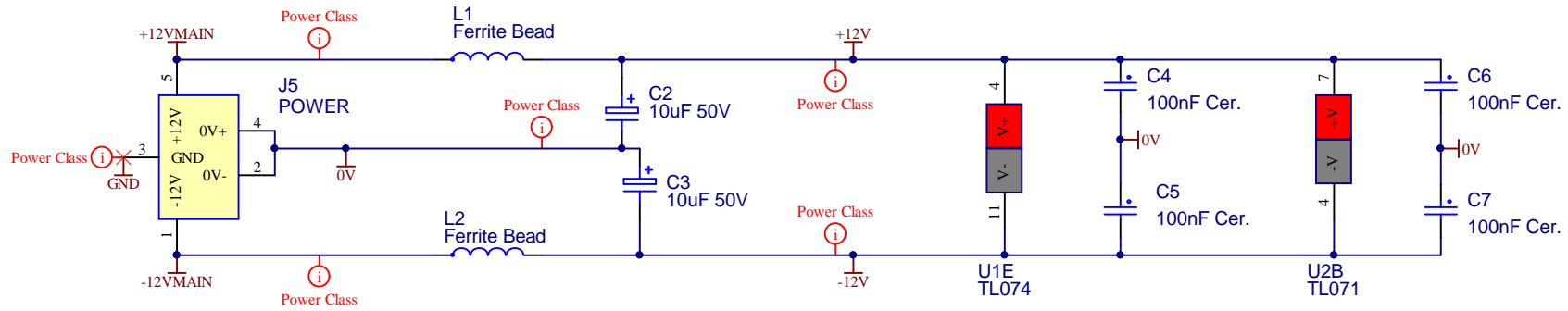
IMPORTANT NOTICE:

Information disclosed by this drawing is the property of ELBY Designs.
Duplication or manufacturing rights granted by written permission only.

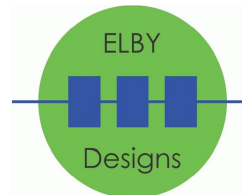
ED722 - Slow Oscillator LFO

Reproduced in collaboration with Ken Stone

Size A4	FCSM No. 24/11/2022	DWG No. ed722.schdoc	Rev 0.3
Scale	Laurie Biddulph		Sheet 1 of 2



RCM ORIGIN RoHS



3 Therese Street
Bridport
TAS 7262
Australia

IMPORTANT NOTICE:

Information disclosed by this drawing is the property of ELBY Designs. Duplication or manufacturing rights granted by written permission only.

**ED722 - Slow Oscillator
Power Rail Decoupling**

Reproduced in collaboration with Ken Stone

Size A4	FCSM No. 24/11/2022	DWG No. ed722-power.schdoc	Rev 0.3
Scale		Laurie Biddulph	Sheet 2 of 2