

1

2

3

4

A

A

B

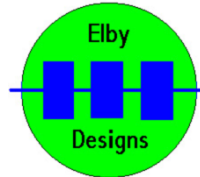
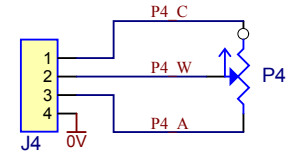
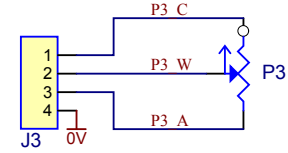
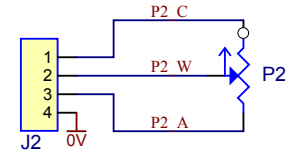
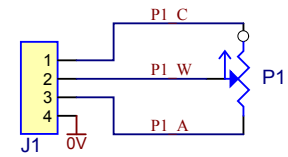
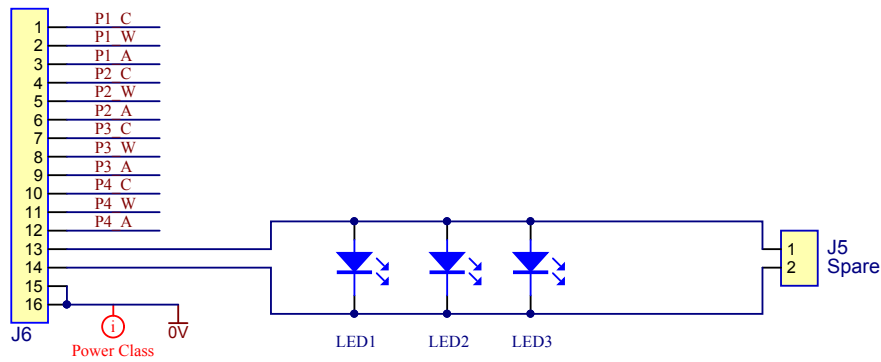
B

C

C

D

D



9 Follan Close
 Kariong
 NSW 2250
 Australia

EuroRack Component Board

Schematic

Size A4	FCSM No. 5/06/2014	DWG No. component-pot-V13.schdoc	Rev 1.3
Scale		Laurie Biddulph	Sheet 1 of 1

1

2

3

4

1 2 3 4 5 6 7 8

A

A

B

B

C

C

D

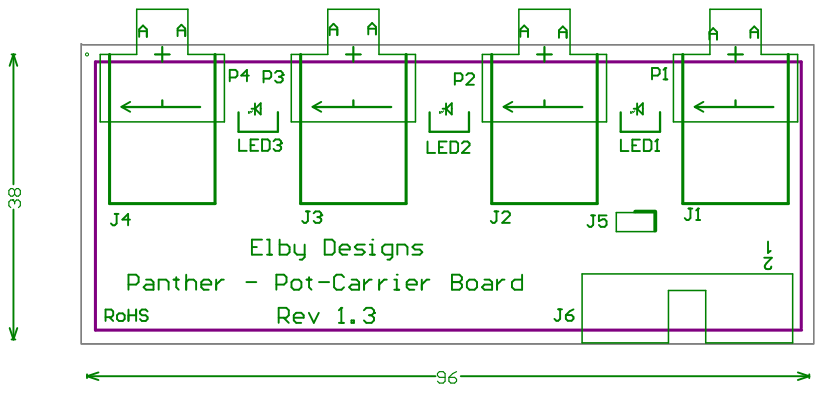
D

E

E

F

1 2 3 4



Elby Designs
 Kariong, NSW 2250
 Australia
www.elby-designs.com

Panther System
 Component-Pot Board

All dimensions in millimeters
 unless stated otherwise.

(A4) Do not scale

Rev: 1.3

Date: 24/04/12